

## Fixed casters

### Item description/product images



### Description

#### Material:

Housing, steel plate.

Wheel tyre, high-quality elastic solid rubber.

Wheel rim, high-quality unbreakable polyamide or die-cast aluminum.

#### Version:

Housing, press-formed.

Swivel housing, double-row ball bearings in a swivel head.

Ball bearing wheel axle bearings.

#### Note:

Wheel axle bolted.

Swivel and fixed casters with mounting plate.

#### Application:

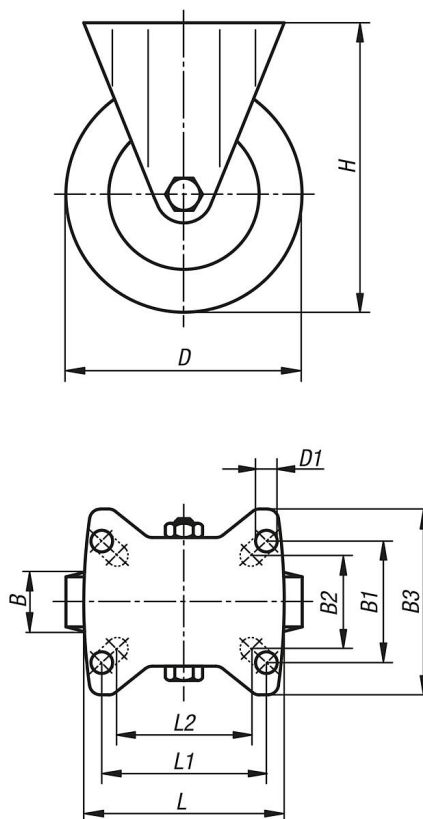
Heavy loads can be easily transported using this load handling equipment. The roll and swivel resistance is reduced with this new wheel series designed for intralogistic heavy load applications.

#### Temperature range:

-25 °C to +70 °C

### Drawings

fixed castor



Order No.	Item	Wheel bearing	B	B1	B2	B3	D	D1	H	L	L1	L2	Permissible load kg
<b>K1765.101000401</b>	Fixed caster	ball bearing	40	60	55	85	100	9	125	100	80	76	200
<b>K1765.101250401</b>	Fixed caster	ball bearing	40	60	55	85	125	9	150	100	80	76	200
<b>K1765.101500501</b>	Fixed caster	ball bearing	50	80	75	110	150	11	190	140	105	-	400
<b>K1765.101600501</b>	Fixed caster	ball bearing	50	80	75	110	160	11	195	140	105	-	400
<b>K1765.102000501</b>	Fixed caster	ball bearing	50	80	75	110	200	11	235	140	105	-	400