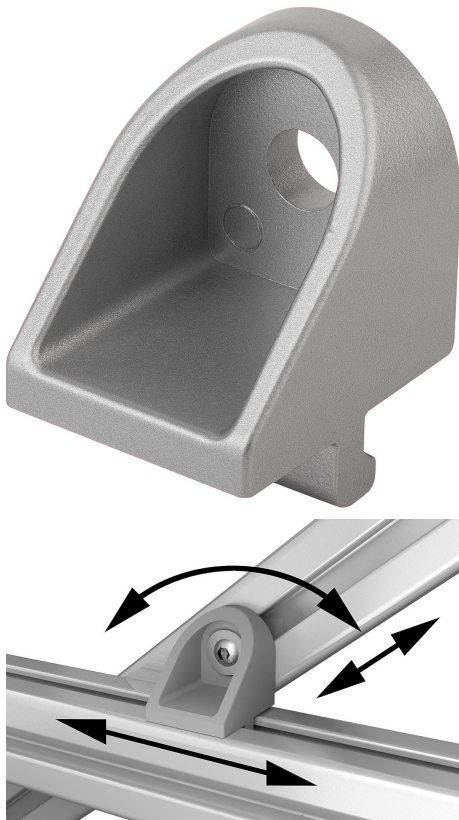


Clamping angle style A

Item description/product images



Description

Material:

Clamping angle die-cast zinc.

Version:

Clamping angle painted aluminum tone.

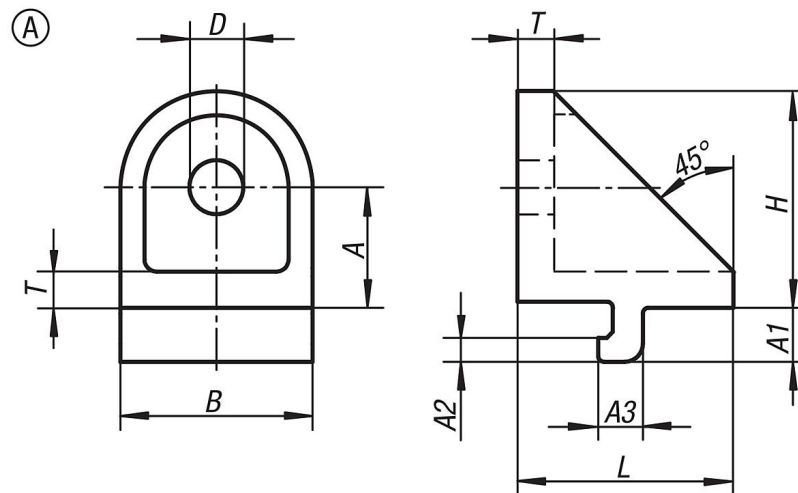
Note:

The clamping angles are used for connecting two profiles of the same series that have contact on the side faces and cross at any angle.

Loosening the screw releases both clamps allowing free rotation and sliding along the slots.

The clamping angles are generally used in pairs or in combination with a joint angle.

Drawings



Order No.	Type	Slot width	style	A	A1	A2	A3	B	D	H	L	T
K1049.06	I	6	A	15	6,3	3	5,7	24	7	27	27	5
K1049.08	I	8	A	20	9	4	7,5	32	9	36	36	6

