

Hook clamp holders, style A, with square

Item description/product images



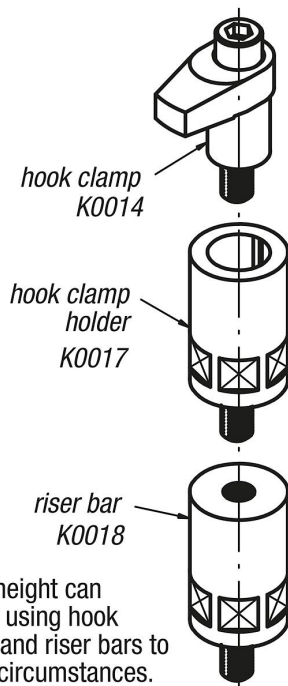
Description

Material:
Carbon steel.

Version:
Black oxidized.

Note:
Hook clamp holders are for holding and raising hook clamps.

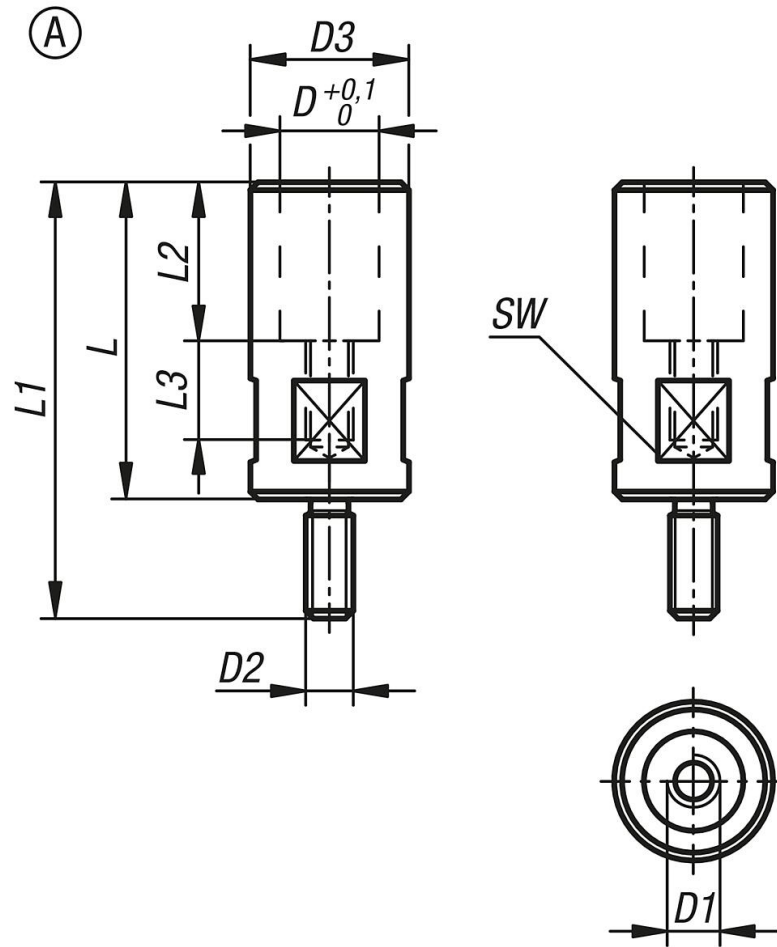
Accessory:
Hook clamps K0014.
Extensions for jack screws K0018.



The clamping height can be adjusted by using hook clamp holders and riser bars to suit individual circumstances.

Hook clamp holders, style A, with square

Drawings



Order No.	style	Style definition	D	D1	D2	D3	L	L1	L2	L3	SW	Max. tightening torque Nm
K0017.04035	A	with square	10	M4	M6	14	35	46	16	13	12	2,7
K0017.06040	A	with square	12	M6	M8	16	40	54	19	14	13	7