

Fixed casters

Item description/product images



Description

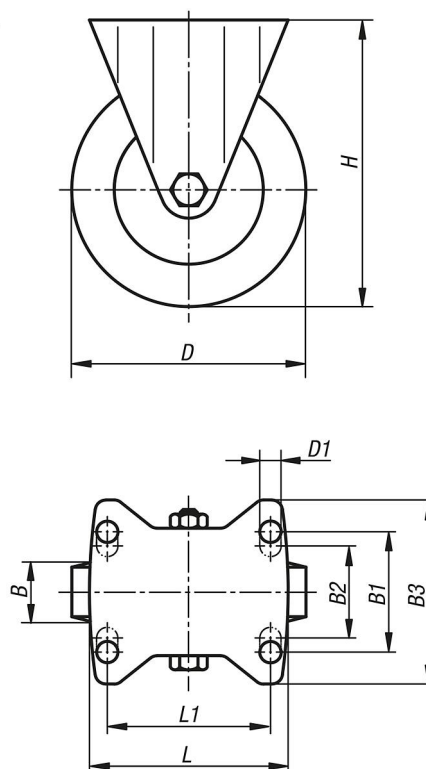
Material:
Housing steel plate.
Wheels PA 6.

Version:
Pressed housing; wheels with slide bearing

Note:
The PA 6 wheels have a low rolling resistance, are non-corroding, resist abrasion and are particularly shock and impact proof.

Drawings

fixed castor



Order No.	Item	Version 1	Wheel bearing	B	B1	B2	B3	D	D1	H	L	L1	Permissible load kg
K1770.075321	Fixed caster	without locking system	plain bearing	32	60	-	85	75	9	98	100	80	200
K1770.100371	Fixed caster	without locking system	plain bearing	37	60	-	85	100	9	125	100	80	200
K1770.125401	Fixed caster	without locking system	plain bearing	40	60	-	85	125	9	150	100	80	200
K1770.150501	Fixed caster	without locking system	plain bearing	50	80	75	110	150	11	190	140	105	400

