

Fixed casters

Item description/product images



Description

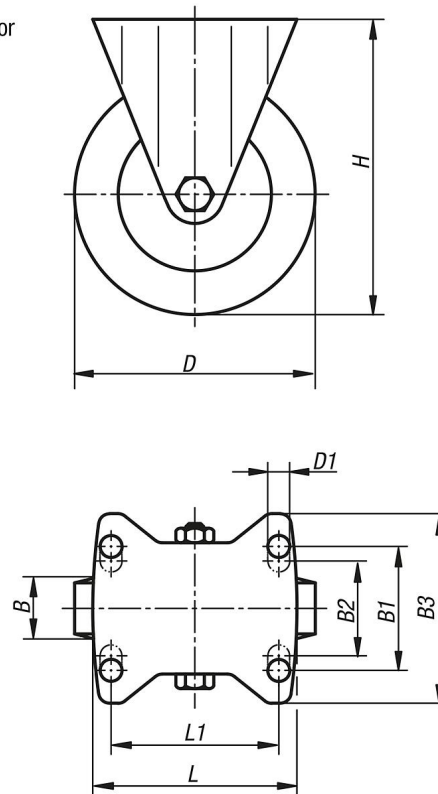
**Material:**  
Housing thick steel plate.  
Wheels PA 6.

**Version:**  
Pressed housing

**Note:**  
Wheel axle bolted. The wheels are particularly shock and impact proof and have high abrasion resistance.

Drawings

fixed castor



Order No.	Item	Version 1	Wheel bearing	B	B1	B2	B3	D	D1	H	L	L1	Permissible load kg
K1771.100371	Fixed caster	without locking system	plain bearing	37	60	-	85	100	9	140	100	80	280
K1771.125401	Fixed caster	without locking system	plain bearing	40	60	-	85	125	9	165	100	80	300
K1771.150501	Fixed caster	without locking system	plain bearing	50	80	75	110	150	11	197	140	105	400
K1771.200501	Fixed caster	without locking system	plain bearing	50	80	75	110	200	11	245	140	105	600

