

Item description/product images



Description

Material:

Housing thick steel plate.

Wheels high-quality PA 6

Version:

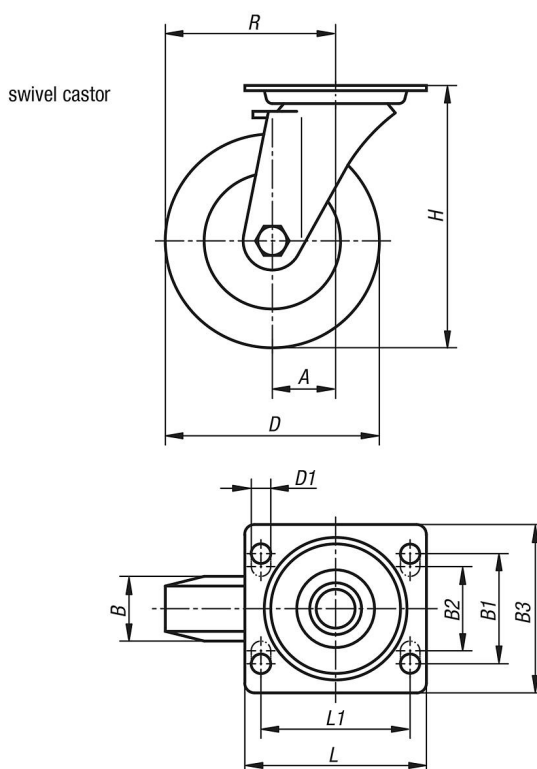
Housing press formed.

Swivel caster housing with strong fork and base plate, very robust center pin bolted and secured. The swivel head is additionally reinforced with specially formed and hardened bearing shells.

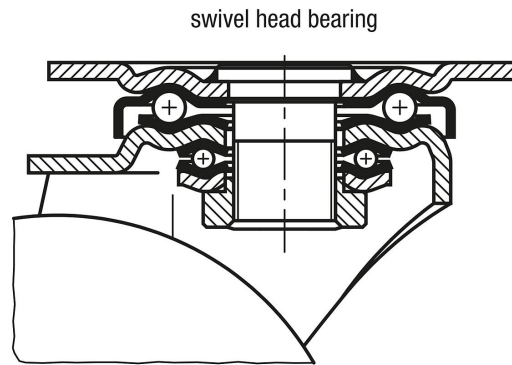
Note:

The hardened bearing shells make these casters particularly shock and impact proof. The wheels have high abrasion resistance. Wheel axle bolted.

Drawings



Drawings



Order No.	Item	Version 1	Wheel bearing	A	B	B1	B2	B3	D	D1	H	L	L1	R	Permissible load kg
K1772.07532	Swivel caster	without locking system	plain bearing	45	32	60	-	85	75	9	118	100	80	82,5	300
K1772.075323	Swivel caster	without locking system	ball bearing	45	32	60	-	85	75	9	118	100	80	82,5	300
K1772.10037	Swivel caster	without locking system	plain bearing	45	37	60	-	85	100	9	140	100	80	95	500
K1772.100373	Swivel caster	without locking system	ball bearing	45	37	60	-	85	100	9	140	100	80	95	500
K1772.12540	Swivel caster	without locking system	plain bearing	45	40	60	-	85	125	9	165	100	80	107,5	700
K1772.125403	Swivel caster	without locking system	ball bearing	45	40	60	-	85	125	9	165	100	80	107,5	700
K1772.15050	Swivel caster	without locking system	plain bearing	65	50	80	75	110	150	11	197	140	105	140	800
K1772.150503	Swivel caster	without locking system	ball bearing	65	50	80	75	110	150	11	197	140	105	140	800