

## Fixed casters, stainless steel, for sterile areas

### Item description/product images



### Description

**Material:**

Housing stainless steel 1.4301 (AISI 304 equivalent).  
Wheel rim, high-quality thermoplastic polyurethane.  
Wheel tread, high-quality polyamide.

**Version:**

Housing press styleed.  
Double ball bearing in the caster head.  
Plain bearing in wheels.

**Note:**

Wheel axle bolted.  
Swivel and fixed casters with mounting plate.

**Application:**

Loads can be transported with low noise and maximum ease in area's with high hygiene requirements.

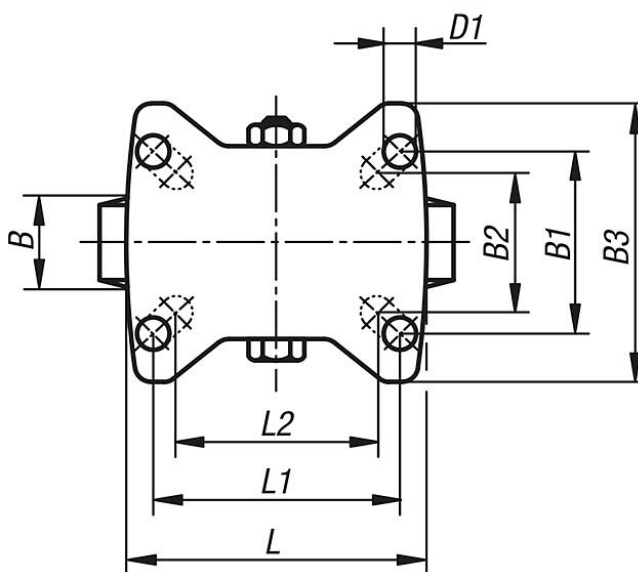
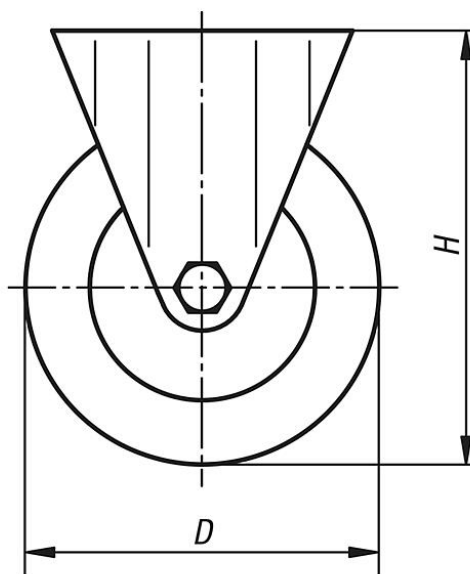
**Temperature range:**

-20 °C - +70 °C.

Fixed casters, stainless steel, for sterile areas

Drawings

fixed castor



Order No.	Item	Wheel bearing	B	B1	B2	B3	D	D1	H	L	L1	L2	Permissible load kg
K1790.211000351	Fixed caster	plain bearing	35	60	55	85	100	9	125	100	80	76	200
K1790.211250401	Fixed caster	plain bearing	40	60	55	85	125	9	150	100	80	76	250
K1790.211600451	Fixed caster	plain bearing	45	80	75	110	160	11	195	140	105	-	400
K1790.212000501	Fixed caster	plain bearing	50	80	75	110	200	11	235	140	105	-	400