

Swivel casters, stainless steel, for sterile areas

Item description/product images



Description

Material:

Housing stainless steel 1.4301 (AISI 304 equivalent).
Wheel rim, high-quality thermoplastic polyurethane.
Wheel tread, high-quality polyamide.

Version:

Housing press styleed.
Double ball bearing in the caster head.
Plain bearing in wheels.

Note:

Wheel axle bolted.
Swivel and fixed casters with mounting plate.

Application:

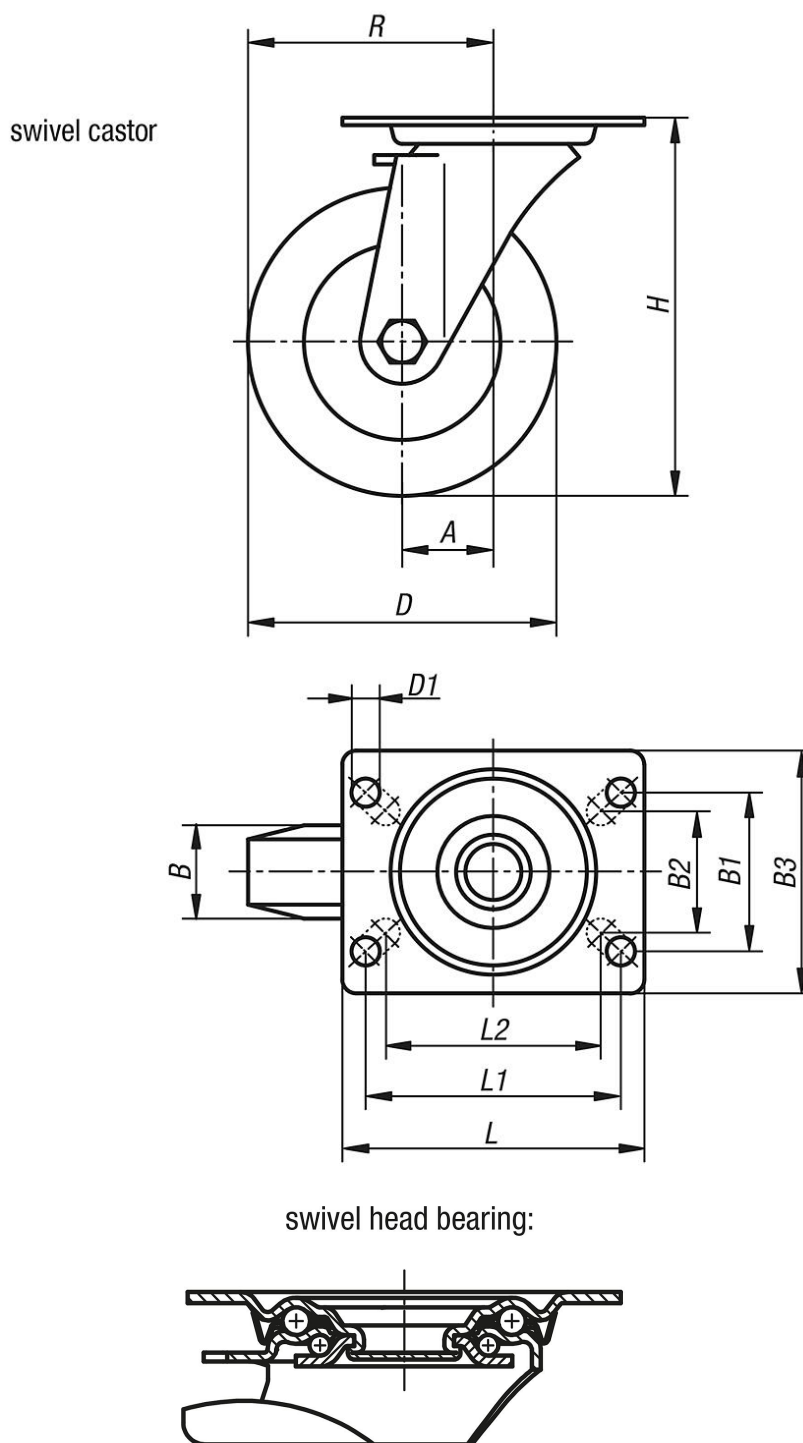
Loads can be transported with low noise and maximum ease in area's with high hygiene requirements.

Temperature range:

-20 °C - +70 °C.

Swivel casters, stainless steel, for sterile areas

Drawings



Order No.	Item	Wheel bearing	A	B	B1	B2	B3	D	D1	H	L	L1	L2	R	Permissible load kg
K1790.21100035	Swivel caster	plain bearing	30	35	60	55	85	100	9	125	100	80	76	80	200
K1790.21125040	Swivel caster	plain bearing	40	40	60	55	85	125	9	150	100	80	76	102,5	250
K1790.21160045	Swivel caster	plain bearing	60	45	80	75	110	160	11	195	140	105	-	140	400
K1790.21200050	Swivel caster	plain bearing	65	50	80	75	110	200	11	235	140	105	-	165	400

