

## Swivel casters with stop fix, stainless steel, for sterile areas

### Item description/product images



### Description

**Material:**

Housing stainless steel 1.4301 (AISI 304 equivalent).  
Wheel rim, high-quality thermoplastic polyurethane.  
Wheel tread, high-quality polyamide.

**Version:**

Housing press styleed.  
Double ball bearing in the caster head.  
Plain bearing in wheels.

**Note:**

Wheel axle bolted.  
Swivel and fixed casters with mounting plate.

**Application:**

Loads can be transported with low noise and maximum ease in area's with high hygiene requirements.

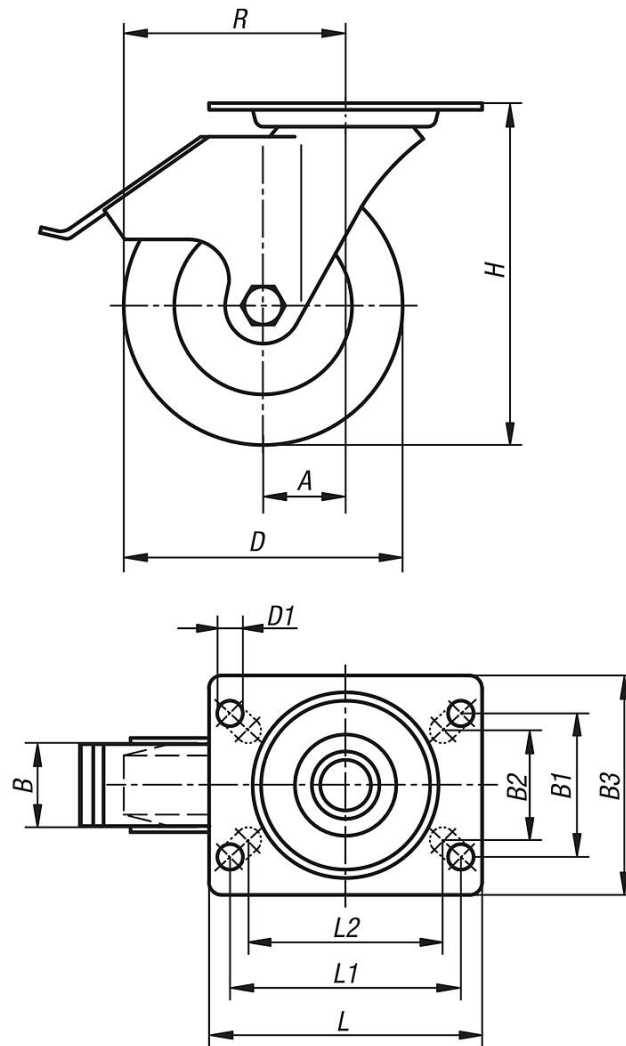
**Temperature range:**

-20 °C - +70 °C.

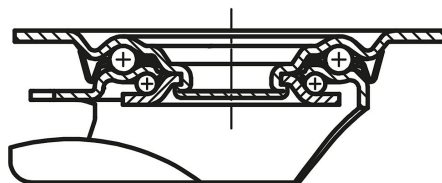
Swivel casters with stop fix, stainless steel, for sterile areas

Drawings

swivel castor with "stop-fix"



swivel head bearing:



Order No.	Item	Wheel bearing	A	B	B1	B2	B3	D	D1	H	L	L1	L2	R	Permissible load kg
K1790.211000352	Swivel caster	plain bearing	30	35	60	55	85	100	9	125	100	80	76	80	200
K1790.211250402	Swivel caster	plain bearing	40	40	60	55	85	125	9	150	100	80	76	102,5	250
K1790.211600452	Swivel caster	plain bearing	60	45	80	75	110	160	11	195	140	105	-	140	400
K1790.212000502	Swivel caster	plain bearing	65	50	80	75	110	200	11	235	140	105	-	165	400

