

Swivel casters

Item description/product images



Description

Material:

Housing stainless steel 1.4301 (AISI 304 equivalent).
Wheel rim, high-quality thermoplastic polyurethane.
Wheel tread, high-quality polyamide.

Version:

Housing press styleed.
Double ball bearing in the caster head.
Plain bearing in wheels.

Note:

Wheel axle bolted.

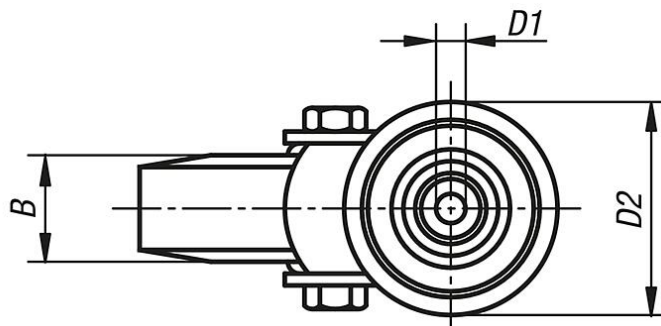
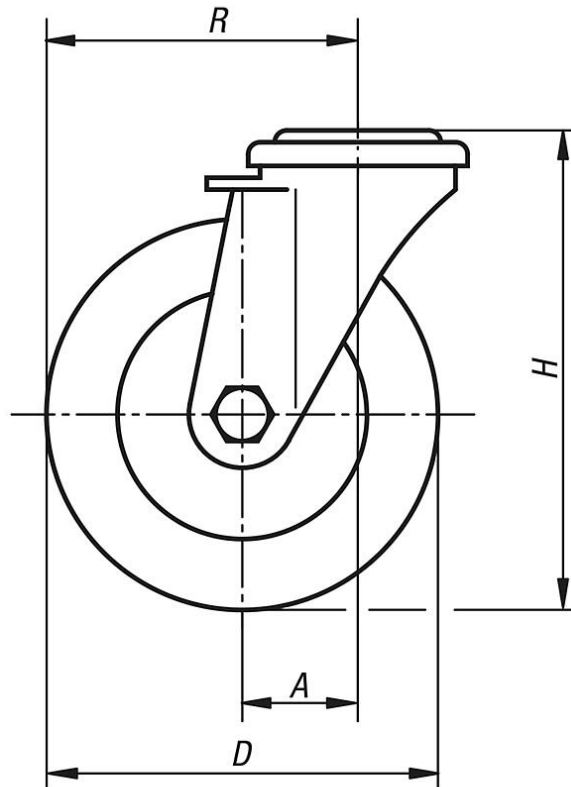
Application:

Loads can be transported with low noise and maximum ease in area's with high hygiene requirements.

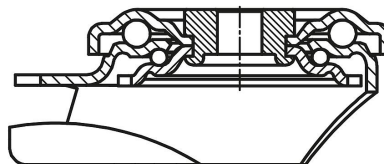
Temperature range:

-20 °C - +70 °C.

swivel castor



swivel head bearing:



Order No.	Item	Wheel bearing	A	B	D	D1	D2	H	R	Permissible load kg
K1791.21100035	Swivel caster	plain bearing	36	35	100	13	70	125	86	150
K1791.21125040	Swivel caster	plain bearing	40	40	125	13	70	150	102,5	150
K1791.21160045	Swivel caster	plain bearing	54	45	160	13	88	195	134	300
K1791.21200050	Swivel caster	plain bearing	54	50	200	13	88	235	154	300

