

Fixed casters, electrically conductive

Item description/product images



Description

Material:

Housing steel plate.

Wheels with thermoplastic rubber tread.

Wheel body polypropylene.

Version:

Housing press formed.

Wheels with plain bearings.

Note:

Wheel axle threaded. Fixed casters with mounting plate. Electrically conductive wheels, non-marking grey. The ohmic resistance of the wheel $\leq 10^4 \Omega$.

Application:

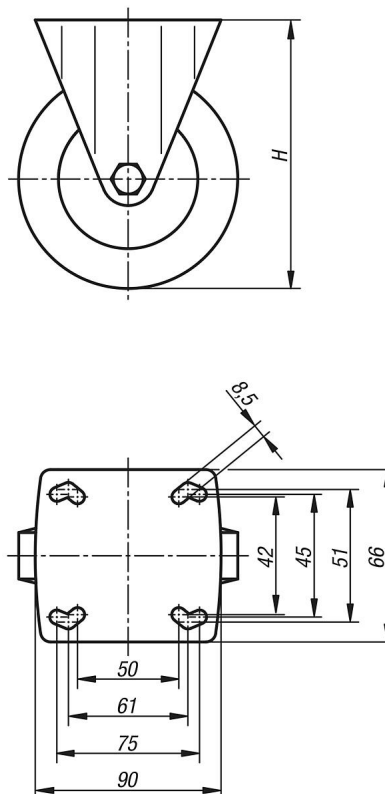
Electrically conductive wheels on swivel and fixed casters are used to protect against electrostatic discharge generated by transport equipment or the transported goods. Damage to sensitive goods and painful electrostatic shocks to the personal is so prevented.

Temperature range:

-20 °C to +60 °C.

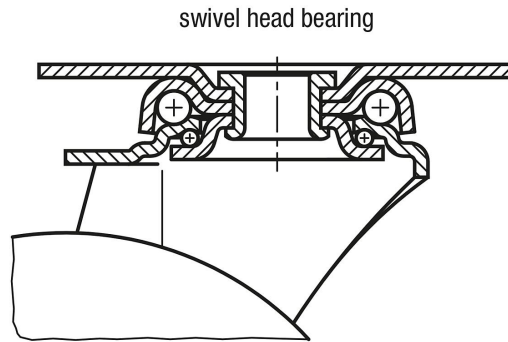
Drawings

fixed castor



Fixed casters, electrically conductive

Drawings



Order No.	Item	Version 1	Wheel bearing	B	D	H	Permissible load kg
K1760.11080321	Fixed caster	without locking system	plain bearing	32	80	111	65
K1760.11100321	Fixed caster	without locking system	plain bearing	32	100	136	70
K1760.11125321	Fixed caster	without locking system	plain bearing	32	125	161	80