

## Swivel casters with stop fix, electrically conductive

### Item description/product images



### Description

#### Material:

Housing steel plate.  
Wheels with thermoplastic rubber tread.  
Wheel body polypropylene.

#### Version:

Housing press styleed.  
Double ball bearing in the caster head.  
Plain bearing in wheels.

#### Note:

Wheel axle threaded. Swivel casters with mounting plate. Electrically conductive wheels, non-marking grey. The ohmic resistance of the wheel  $\leq 10^4 \Omega$ .

#### Application:

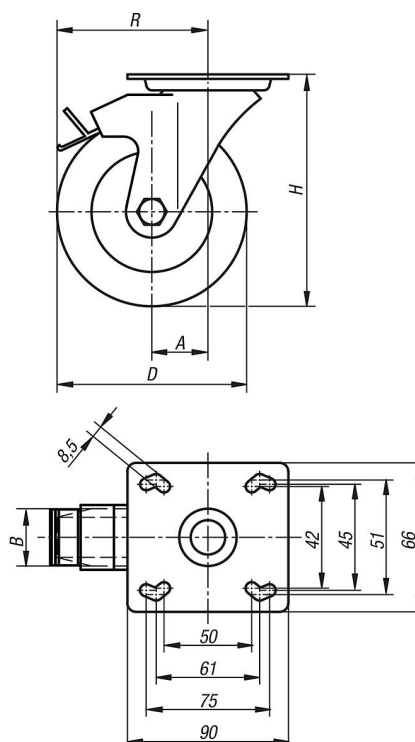
Electrically conductive wheels on swivel and fixed casters are used to protect against electrostatic discharge generated by transport equipment or the transported goods. Damage to sensitive goods and painful electrostatic shocks to the personal is so prevented.

#### Temperature range:

-20 °C to +60 °C.

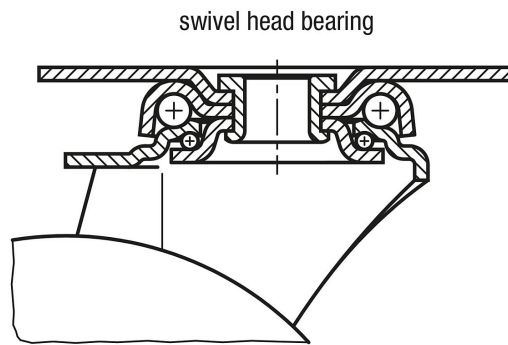
### Drawings

swivel castor  
with "stop-fix"



**Swivel casters with stop fix, electrically conductive**

**Drawings**



Order No.	Item	Version 1	Wheel bearing	A	B	D	H	R	Permissible load kg
<b>K1760.11080322</b>	Swivel caster	with stop-fix locking system	plain bearing	40	32	80	111	80	65
<b>K1760.11100322</b>	Swivel caster	with stop-fix locking system	plain bearing	40	32	100	136	90	70
<b>K1760.11125322</b>	Swivel caster	with stop-fix locking system	plain bearing	40	32	125	161	102,5	80