

Fixed casters

Item description/product images



Description

Material:

Housing and wheel rim steel plate.

Tyres solid rubber.

Wheel hub steel tube.

Version:

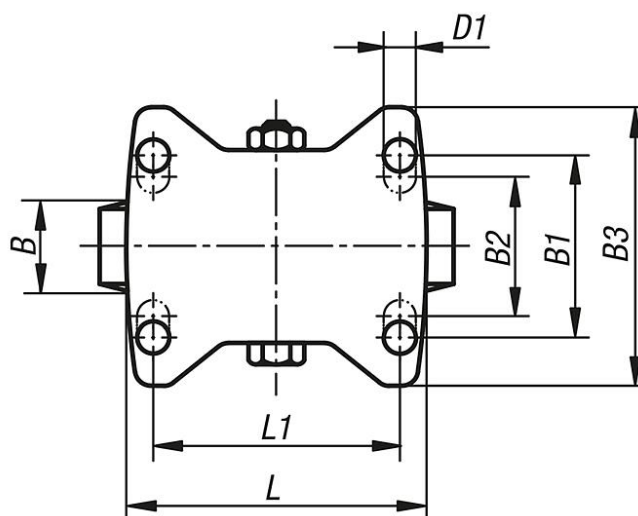
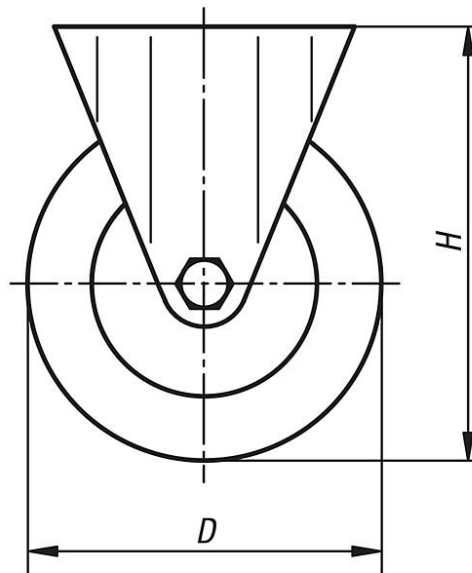
Pressed housing and rim; wheels with ball bearing

Note:

Wheel axle bolted.

Drawings

fixed castor



Order No.	Version 1	Wheel bearing	B	B1	B2	B3	D	D1	L	L1	H	Permissible load kg
K1761.080251	without locking system	roller bearing	25	-	60	85	80	9	100	80	102	50
K1761.100301	without locking system	roller bearing	30	-	60	85	100	9	100	80	125	70
K1761.125381	without locking system	roller bearing	37,5	-	60	85	125	9	100	80	150	100
K1761.160401	without locking system	roller bearing	40	75	80	110	160	11	140	105	195	135
K1761.200501	without locking system	roller bearing	50	75	80	110	200	11	140	105	235	205