

Fixed casters, electrically conductive

Item description/product images



Description

Material:

Housing steel plate.
Wheels with thermoplastic rubber tread.
Wheel body polypropylene.

Version:

Housing press formed.
Wheels with plain bearings.

Note:

Wheel axle threaded. Swivel and fixed casters with mounting plate. Electrically conductive wheels, non-marking gray. The ohmic resistance of the wheel is less than $10^4\Omega$.

Application:

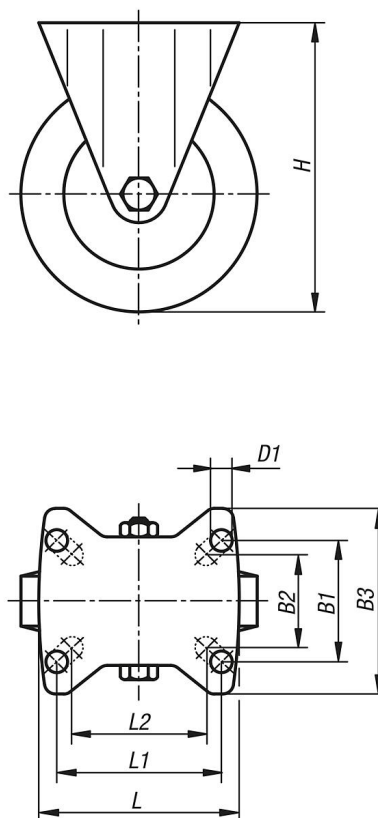
Electrically conductive wheels on swivel and fixed casters are used to protect against electrostatic discharge generated by transport equipment or the transported goods. Damage to sensitive goods and painful electrostatic shocks to the personal is so prevented.

Temperature range:

-20 °C to +60 °C.

Drawings

fixed castor



Fixed casters, electrically conductive

Order No.	Version 1	Wheel bearing	B	B1	B2	B3	D	D1	L	L1	H	L2	Permissible load kg
K1761.11080321	without locking system	plain bearing	32	55	60	85	80	9	100	80	102	76	65
K1761.11100321	without locking system	plain bearing	32	55	60	85	100	9	100	80	125	76	70
K1761.11125321	without locking system	plain bearing	32	55	60	85	125	9	100	80	150	76	80
K1761.11160401	without locking system	plain bearing	40	75	80	110	160	11	140	105	195	-	130
K1761.11200401	without locking system	plain bearing	40	75	80	110	200	11	140	105	235	-	160