

Fixed casters

Item description/product images



Description

Material:

Housing steel plate.

Wheel body PA 6 with abrasion-resistant polyurethane tread.

Version:

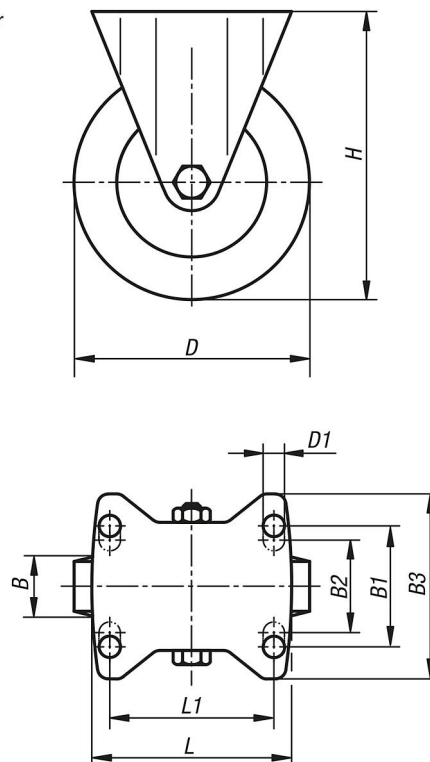
Pressed housing; wheels with slide bearing

Note:

The wheels are unbreakable, maintenance-free and non-corroding. Wheel axle bolted. Tread non-marking.

Drawings

fixed castor



Order No.	Item	Version 1	Wheel bearing	B	B1	B2	B3	D	D1	H	L	L1	Permissible load kg
K1764.100351	Fixed caster	without locking system	plain bearing	35	60	-	85	100	9	125	100	80	200
K1764.125351	Fixed caster	without locking system	plain bearing	40	60	-	85	125	9	150	100	80	200
K1764.150401	Fixed caster	without locking system	plain bearing	45	80	75	110	150	11	190	140	105	400
K1764.200501	Fixed caster	without locking system	plain bearing	50	80	75	110	200	11	235	140	105	400

