

Swivel casters

Item description/product images



Description

Material:

Housing steel plate.
Wheel body PA 6 with abrasion-resistant polyurethane tread.

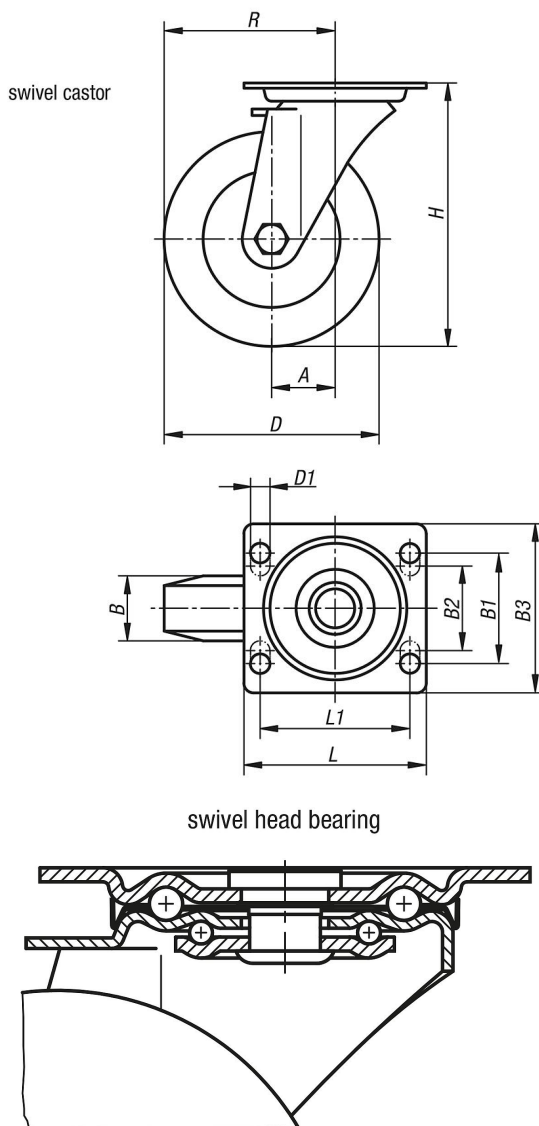
Version:

Housing press formed.
Double ball bearing with ball shield in the caster head.
Plain bearing in the wheels.

Note:

The wheels are unbreakable, maintenance-free and non-corroding. Wheel axle bolted. Tread non-marking.

Drawings



Order No.	Item	Version 1	Wheel bearing	A	B	B1	B2	B3	D	D1	H	L	L1	R	Permissible load kg
K1764.10035	Swivel caster	without locking system	plain bearing	36	35	60	-	85	100	9	125	100	80	86	200
K1764.12535	Swivel caster	without locking system	plain bearing	40	40	60	-	85	125	9	150	100	80	102,5	200
K1764.15040	Swivel caster	without locking system	plain bearing	60	45	80	75	110	150	11	190	140	105	135	400
K1764.20050	Swivel caster	without locking system	plain bearing	65	50	80	75	110	200	11	235	140	105	165	400