

# Swivel casters with "stop-fix"

## Item description/product images



### Description

**Material:**

Housing steel plate.

Wheel body PA 6 with abrasion-resistant polyurethane tread.

**Version:**

Housing press formed.

Double ball bearing with ball shield in the caster head.

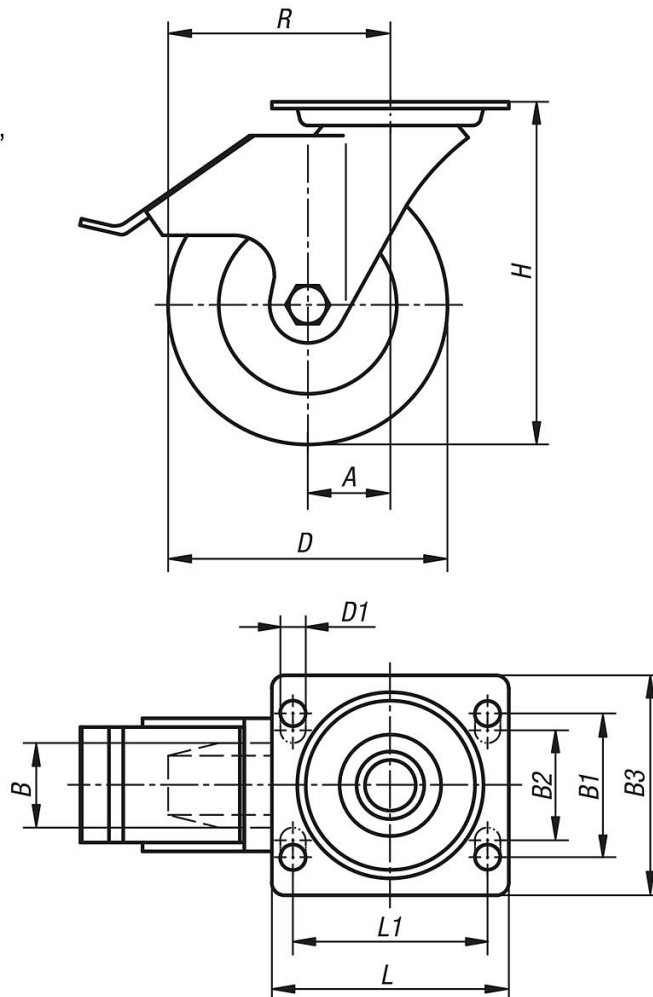
Plain bearing in the wheels.

**Note:**

The wheels are unbreakable, maintenance-free and non-corroding. Wheel axle bolted. Tread non-marking.

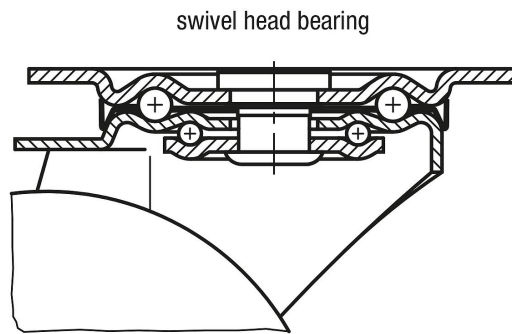
## Drawings

swivel castor with "stop-fix"



**Swivel casters with "stop-fix"**

**Drawings**



Order No.	Item	Version 1	Wheel bearing	A	B	B1	B2	B3	D	D1	H	L	L1	R	Permissible load kg
<b>K1764.100352</b>	Swivel caster	with stop-fix locking system	plain bearing	36	35	60	-	85	100	9	125	100	80	86	200
<b>K1764.125352</b>	Swivel caster	with stop-fix locking system	plain bearing	40	40	60	-	85	125	9	150	100	80	102,5	200
<b>K1764.150402</b>	Swivel caster	with stop-fix locking system	plain bearing	60	45	80	75	110	150	11	190	140	105	135	400
<b>K1764.200502</b>	Swivel caster	with stop-fix locking system	plain bearing	65	50	80	75	110	200	11	235	140	105	165	400