

# Swivel casters with "stop-fix"

Item description/product images



## Description

**Material:**

Housing steel plate.  
Wheels PA 6.

**Version:**

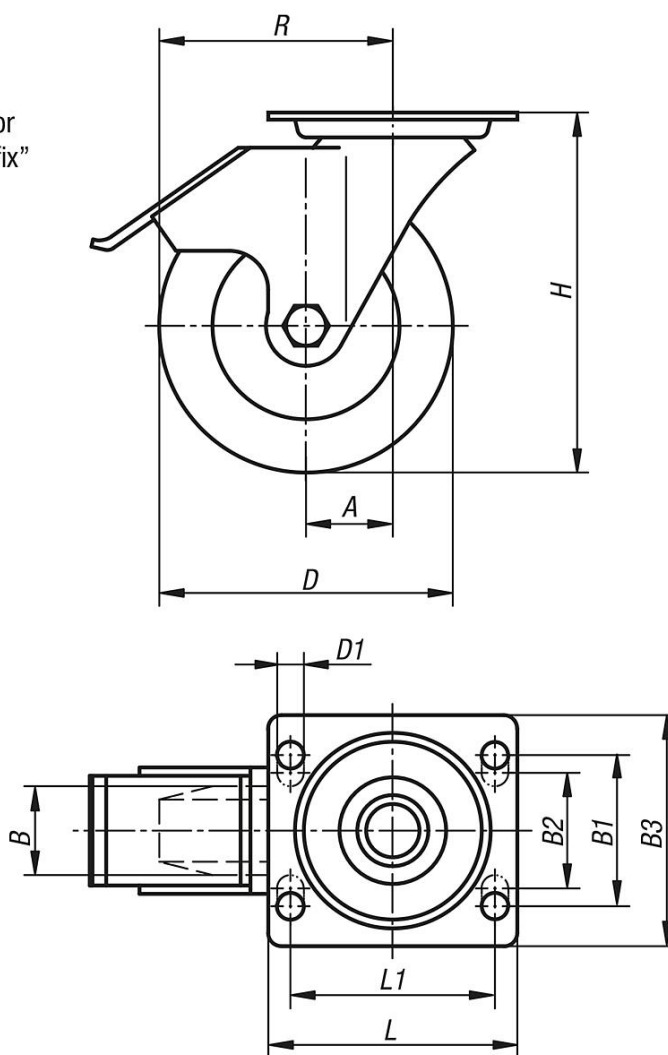
Housing press formed.  
Double ball bearing with ball shield in the caster head.  
Plain bearings in the wheels.

**Note:**

The PA 6 wheels have a low rolling resistance, are non-corroding, resist abrasion and are particularly shock and impact proof.

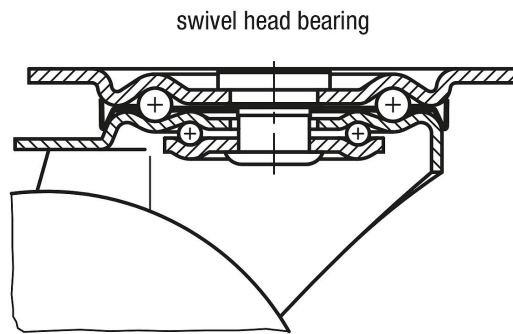
## Drawings

swivel castor with "stop-fix"



**Swivel casters with "stop-fix"**

**Drawings**



Order No.	Item	Version 1	Wheel bearing	A	B	B1	B2	B3	D	D1	H	L	L1	R	Permissible load kg
<b>K1770.075322</b>	Swivel caster	with stop-fix locking system	plain bearing	35	32	60	-	85	75	9	98	100	80	72,5	200
<b>K1770.100372</b>	Swivel caster	with stop-fix locking system	plain bearing	35	37	60	-	85	100	9	125	100	80	85	200
<b>K1770.125402</b>	Swivel caster	with stop-fix locking system	plain bearing	40	40	60	-	85	125	9	150	100	80	102,5	200
<b>K1770.150502</b>	Swivel caster	with stop-fix locking system	plain bearing	60	50	80	75	110	150	11	190	140	105	135	400