

Swivel casters with stop top

Item description/product images



Description

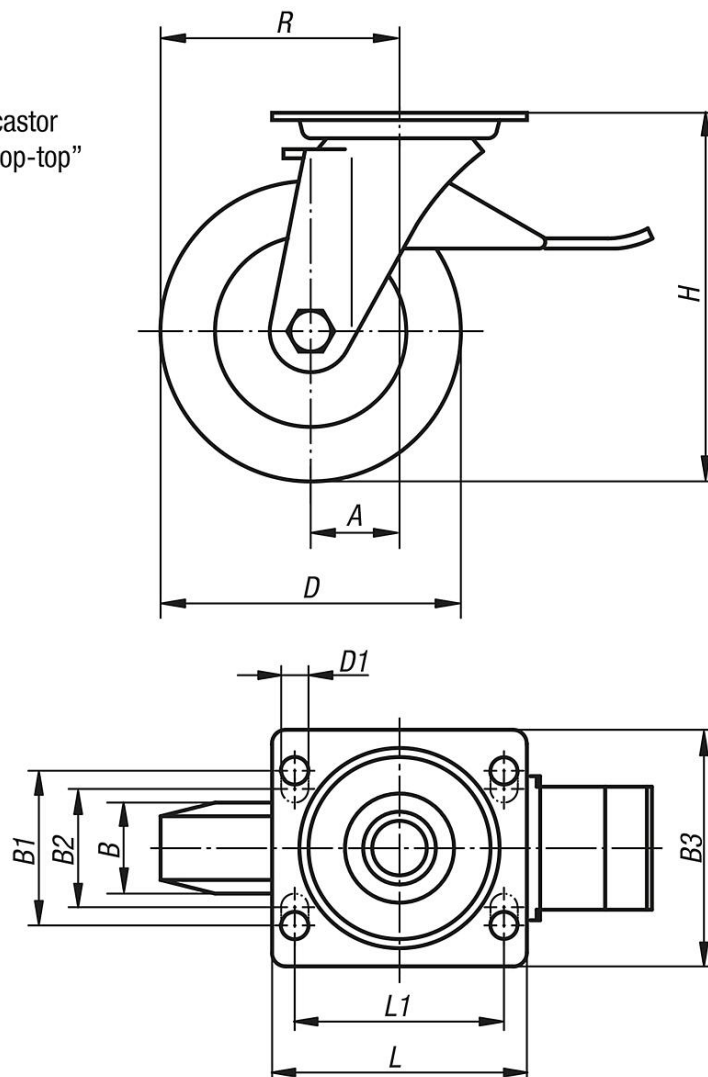
Material:
Housing thick steel plate.
Wheels PA 6.

Version:
Housing press formed.
Swivel caster housing with strong fork and base plate, very robust center pin bolted and secured. The swivel head is additionally reinforced with specially formed and hardened bearing shells.
Plain bearings in the wheels.

Note:
Wheel axle bolted. The wheels are particularly shock and impact proof and have high abrasion resistance.

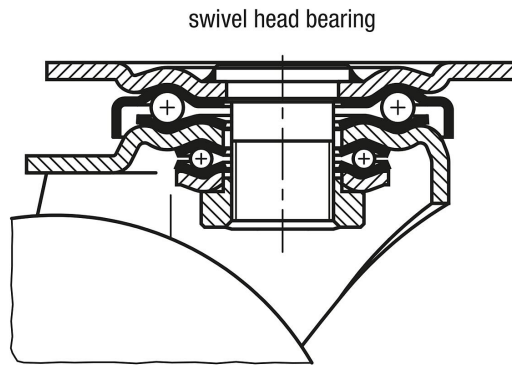
Drawings

swivel castor with "stop-top"



Swivel casters with stop top

Drawings



Order No.	Item	Version 1	Wheel bearing	A	B	B1	B2	B3	D	D1	H	L	L1	R	Permissible load kg
K1771.100372	Swivel caster	with stop-top locking system	plain bearing	45	37	60	-	85	100	9	140	100	80	95	280
K1771.125402	Swivel caster	with stop-top locking system	plain bearing	45	40	60	-	85	125	9	165	100	80	107,5	300
K1771.150502	Swivel caster	with stop-top locking system	plain bearing	65	50	80	75	110	150	11	197	140	105	140	400
K1771.200502	Swivel caster	with stop-top locking system	plain bearing	70	50	80	75	110	200	11	245	140	105	170	600