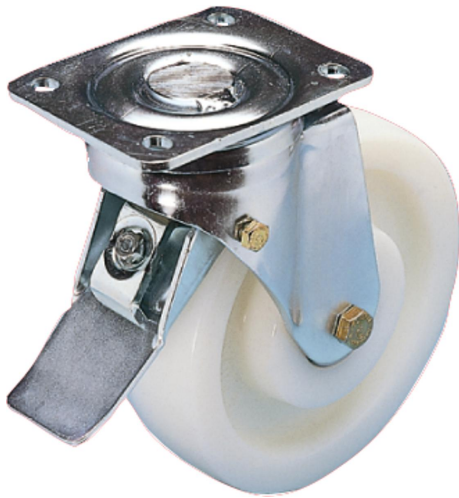


Swivel casters with "stop-top"

Item description/product images



Description

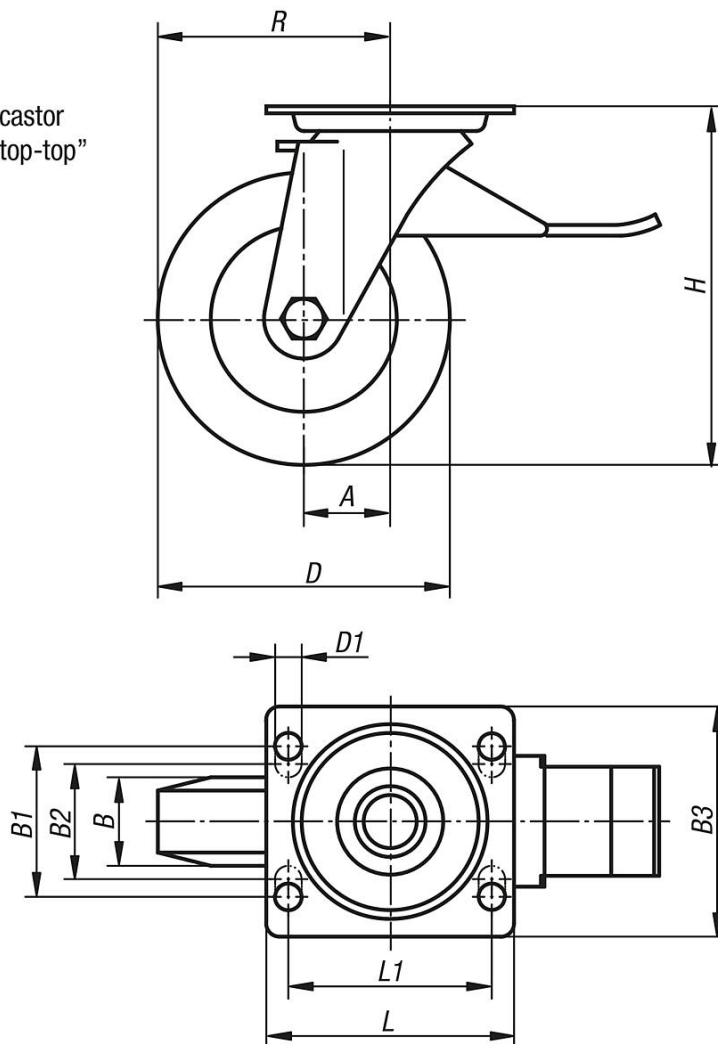
Material:
Housing thick steel plate.
Wheels high-quality PA 6

Version:
Housing press formed.
Swivel caster housing with strong fork and base plate, very robust center pin bolted and secured. The swivel head is additionally reinforced with specially formed and hardened bearing shells.

Note:
The hardened bearing shells make these casters particularly shock and impact proof. The wheels have high abrasion resistance. Wheel axle bolted.

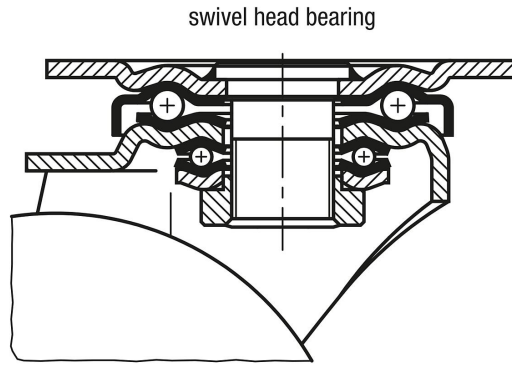
Drawings

swivel castor with "stop-top"



Swivel casters with "stop-top"

Drawings



Order No.	Item	Version 1	Wheel bearing	A	B	B1	B2	B3	D	D1	H	L	L1	R	Permissible load kg
K1772.075322	Swivel caster	with stop-top locking system	plain bearing	45	32	60	-	85	75	9	118	100	80	82,5	300
K1772.075325	Swivel caster	with stop-top locking system	ball bearing	45	32	60	-	85	75	9	118	100	80	82,5	300
K1772.100372	Swivel caster	with stop-top locking system	plain bearing	45	37	60	-	85	100	9	140	100	80	95	500
K1772.100375	Swivel caster	with stop-top locking system	ball bearing	45	37	60	-	85	100	9	140	100	80	95	500
K1772.125402	Swivel caster	with stop-top locking system	plain bearing	45	40	60	-	85	125	9	165	100	80	107,5	700
K1772.125405	Swivel caster	with stop-top locking system	ball bearing	45	40	60	-	85	125	9	165	100	80	107,5	700
K1772.150502	Swivel caster	with stop-top locking system	plain bearing	65	50	80	75	110	150	11	197	140	105	140	800
K1772.150505	Swivel caster	with stop-top locking system	ball bearing	65	50	80	75	110	150	11	197	140	105	140	800