

## Swivel casters for sterile areas

### Item description/product images

---



### Description

**Material:**

Housing, steel plate.

Wheel rim, high-quality thermoplastic polyurethane.

Wheel tread, high-quality polyamide.

**Version:**

Housing press styleed.

Double ball bearing in the caster head.

Plain bearing in wheels.

**Note:**

Wheel axle bolted.

Swivel and fixed casters with mounting plate.

**Application:**

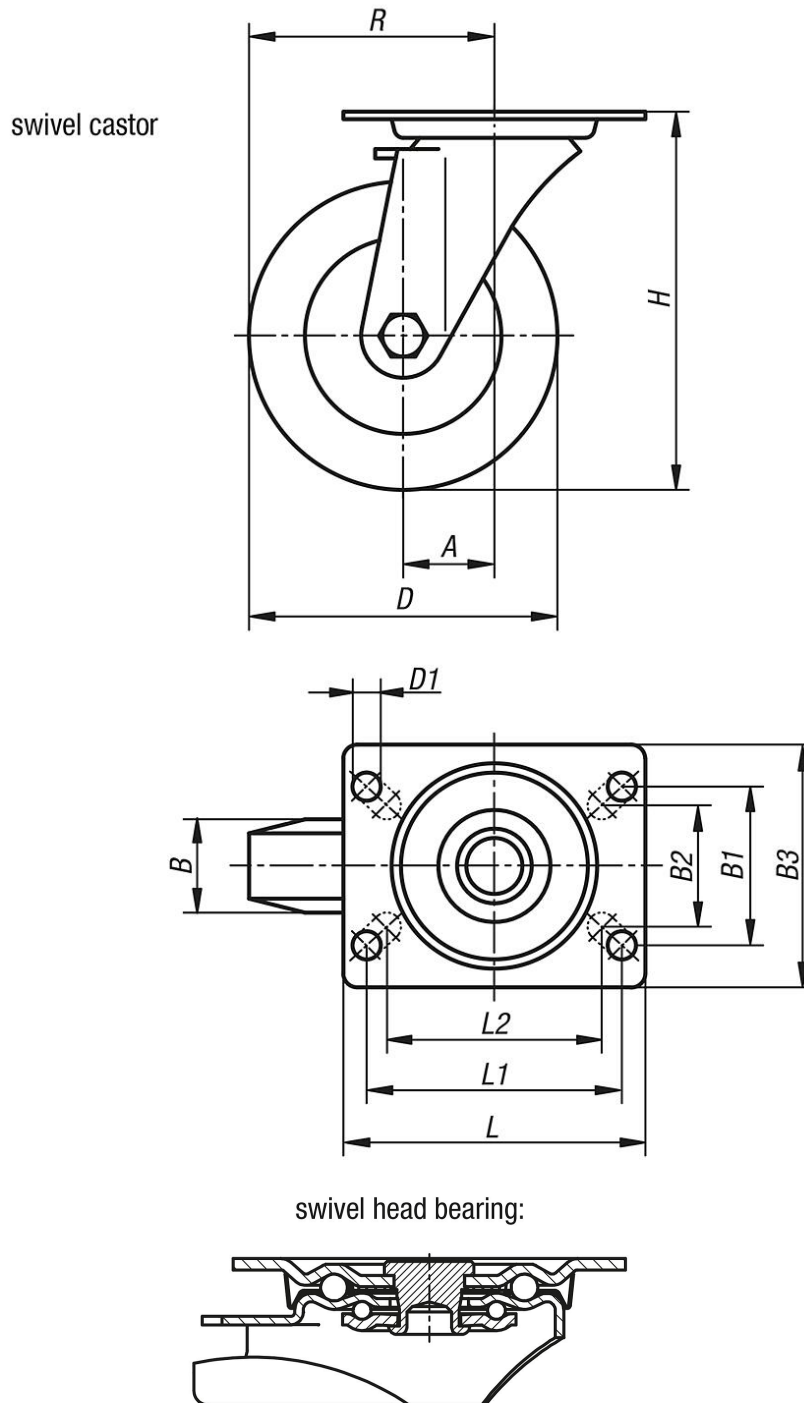
Loads can be transported with low noise and maximum ease in area's with high hygiene requirements.

**Temperature range:**

-20 °C - +70 °C.

Swivel casters for sterile areas

Drawings



Order No.	Item	Wheel bearing	A	B	B1	B2	B3	D	D1	H	L	L1	L2	R	Permissible load kg
K1775.11100035	Swivel caster	plain bearing	36	35	60	55	85	100	9	125	100	80	76	86	200
K1775.11125040	Swivel caster	plain bearing	40	40	60	55	85	125	9	150	100	80	76	102,5	250
K1775.11160045	Swivel caster	plain bearing	60	45	80	75	110	160	11	195	140	105	-	140	400
K1775.11200050	Swivel caster	plain bearing	65	50	80	75	110	200	11	235	140	105	-	165	400

