

Swivel casters with stop fix for sterile areas

Item description/product images



Description

Material:

Housing, steel plate.

Wheel rim, high-quality thermoplastic polyurethane.

Wheel tread, high-quality polyamide.

Version:

Housing press styleed.

Double ball bearing in the caster head.

Plain bearing in wheels.

Note:

Wheel axle bolted.

Swivel and fixed casters with mounting plate.

Application:

Loads can be transported with low noise and maximum ease in area's with high hygiene requirements.

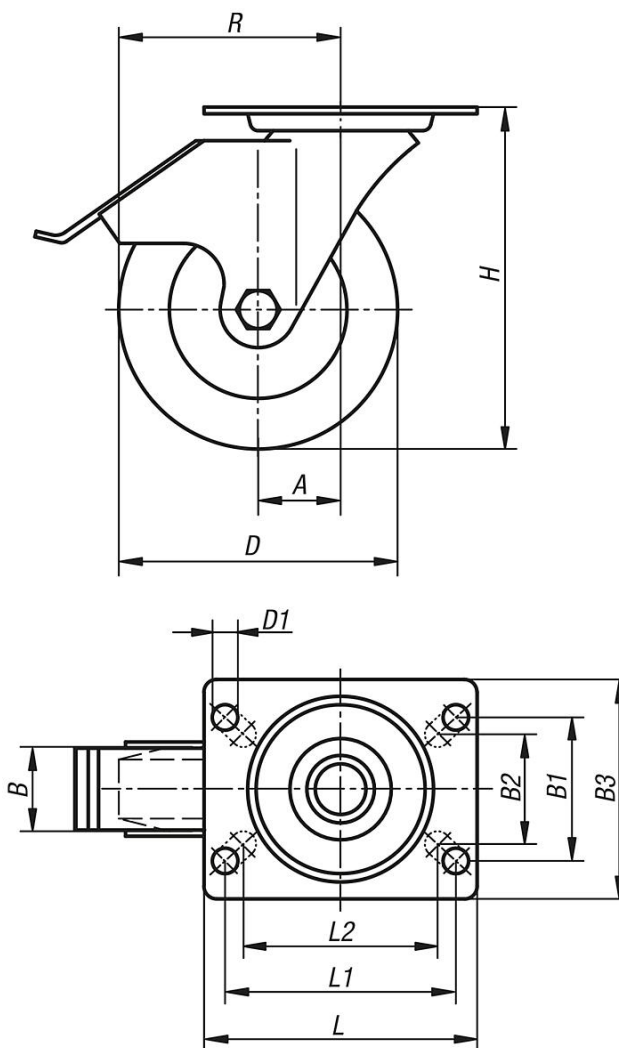
Temperature range:

-20 °C - +70 °C.

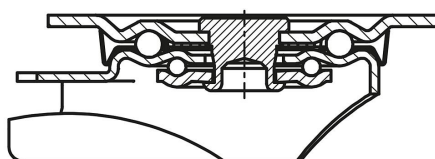
Swivel casters with stop fix for sterile areas

Drawings

swivel castor with "stop-fix"



swivel head bearing:



| Order No. | Item | Wheel bearing | A | B | B1 | B2 | B3 | D | D1 | H | L | L1 | L2 | R | Permissible load kg |
|-----------------|---------------|---------------|----|----|----|----|-----|-----|----|-----|-----|-----|----|-------|---------------------|
| K1775.111000352 | Swivel castor | plain bearing | 36 | 35 | 60 | 55 | 85 | 100 | 9 | 125 | 100 | 80 | 76 | 86 | 200 |
| K1775.111250402 | Swivel castor | plain bearing | 40 | 40 | 60 | 55 | 85 | 125 | 9 | 150 | 100 | 80 | 76 | 102,5 | 250 |
| K1775.111600452 | Swivel castor | plain bearing | 60 | 45 | 80 | 75 | 110 | 160 | 11 | 195 | 140 | 105 | - | 140 | 400 |
| K1775.112000502 | Swivel castor | plain bearing | 65 | 50 | 80 | 75 | 110 | 200 | 11 | 235 | 140 | 105 | - | 165 | 400 |

