

Wheels rubber tyres on steel plate rims

Item description/product images



Description

Material:

Rim steel plate.
Tyre solid rubber.

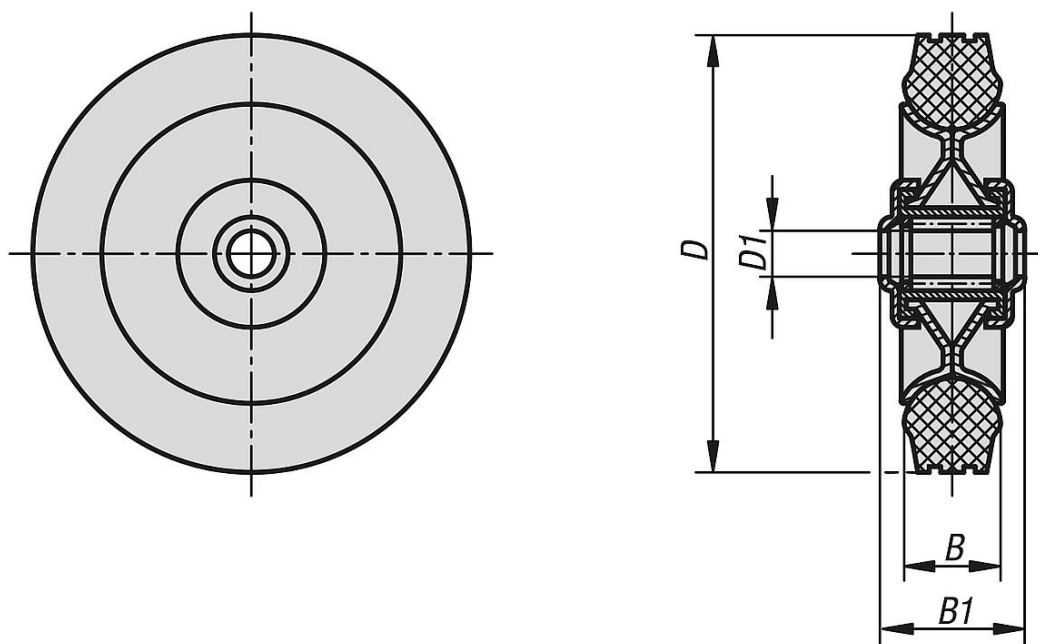
Version:

Rims trivalent passivated.
Tyres black.

Note:

This special rim design is exceptionally ridged even with extreme shocks and impacts. Low rolling resistance.
Temperature resistant from -30 °C to +80 °C.
Suitable for K1761.

Drawings



Wheels rubber tyres on steel plate rims

Item No.	Wheel bearing	D	D1	B	B1	Permissible load kg
K1776.08025	roller bearing	80	12	25	35	50
K1776.10030	roller bearing	100	15	30	45	70
K1776.12538	roller bearing	125	15	37,5	45	100
K1776.14038	roller bearing	140	15	37,5	45	115
K1776.16040	roller bearing	160	20	40	60	135
K1776.18050	roller bearing	180	20	50	60	170
K1776.20050	roller bearing	200	20	50	60	205

