

## Lateral spring plungers with plastic spring, stainless steel thrust pin

### Item description/product images



### Description

#### Material:

Sleeve and spring plastic.  
Thrust pin stainless steel.

#### Version:

Thrust pin bright.

#### Note:

Lateral spring plungers are used for positioning, holding and fastening workpieces in applications where there is increased presence of dirt.  
For example: painting and sandblasting.

Calculation dimension X:

$Y \geq L1 - D1/2$ , therefore  $X = D1/2 - S$

$Y < L1 - D1/2$ , therefore  $X = D1/2 - S - ((L1 - D1/2 - Y) * 0,123)$

Light spring force = blue spring

Standard spring force = red spring

Strong spring force = green spring

#### Assembly:

The sleeve is pressed into the hole.

It is recommended to moisten the sleeve before assembly.

#### Drawing reference:

1) Assembly tool

2) Some sizes have a different pin style

Y = workpiece height

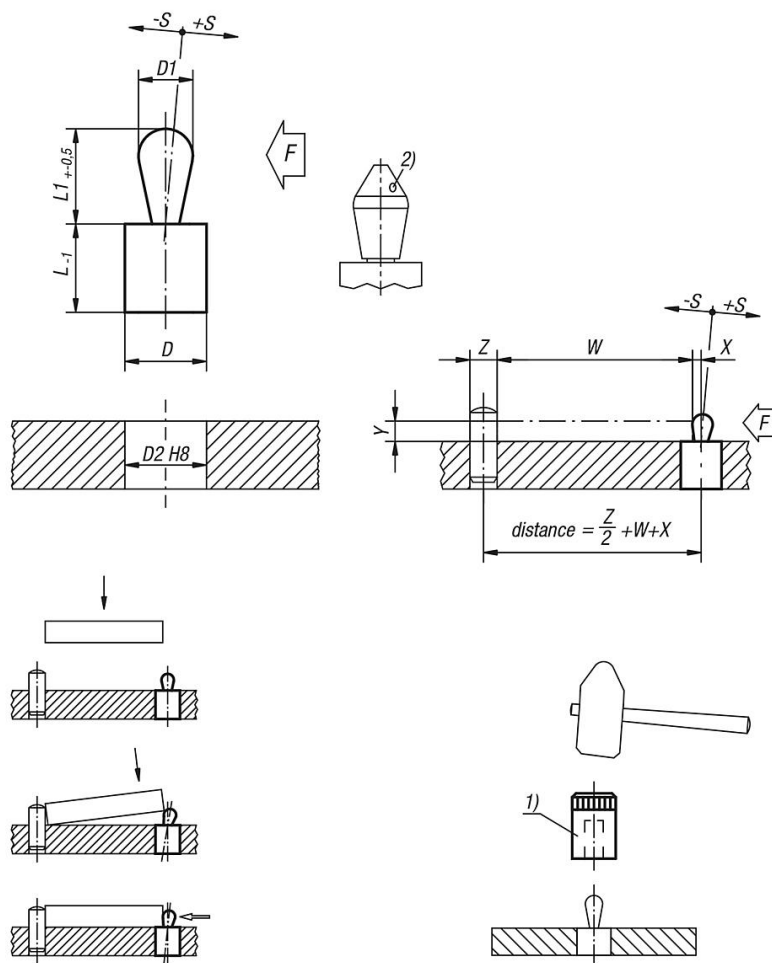
W = workpiece length

X = coordinate dimension

Z = stop diameter

# Lateral spring plungers with plastic spring, stainless steel thrust pin

## Drawings



| Order No.    | Version 1             | Version 2          | D  | D1 | D2   | L  | L1   | ±S  | F<br>ca.N | Item No.<br>installation<br>tool |
|--------------|-----------------------|--------------------|----|----|------|----|------|-----|-----------|----------------------------------|
| K1733.110307 | light spring force    | different pin form | 6  | 3  | 2,9  | 7  | 3,7  | 0,4 | 10        | K1733.03                         |
| K1733.110409 | light spring force    | -                  | 8  | 4  | 7,9  | 9  | 5,2  | 0,6 | 15        | K1733.04                         |
| K1733.110509 | light spring force    | -                  | 10 | 5  | 9,9  | 9  | 7,3  | 0,8 | 30        | K1733.05                         |
| K1733.110609 | light spring force    | -                  | 10 | 6  | 9,9  | 9  | 10,3 | 1   | 20        | K1733.05                         |
| K1733.210307 | standard spring force | different pin form | 6  | 3  | 5,9  | 7  | 3,7  | 0,4 | 20        | K1733.03                         |
| K1733.210409 | standard spring force | -                  | 8  | 4  | 7,9  | 9  | 5,2  | 0,6 | 30        | K1733.04                         |
| K1733.210509 | standard spring force | -                  | 10 | 5  | 9,9  | 9  | 7,3  | 0,8 | 60        | K1733.05                         |
| K1733.210609 | standard spring force | -                  | 10 | 6  | 9,9  | 9  | 10,3 | 1   | 30        | K1733.05                         |
| K1733.210813 | standard spring force | -                  | 12 | 8  | 11,9 | 13 | 13,3 | 1,2 | 50        | K1733.08                         |
| K1733.211016 | standard spring force | -                  | 16 | 10 | 15,9 | 16 | 16,9 | 1,6 | 80        | K1733.10                         |
| K1733.310509 | heavy spring force    | -                  | 10 | 5  | 9,9  | 9  | 7,3  | 0,8 | 90        | K1733.05                         |
| K1733.310609 | heavy spring force    | -                  | 10 | 6  | 9,9  | 9  | 10,3 | 1   | 60        | K1733.05                         |
| K1733.310813 | heavy spring force    | -                  | 12 | 8  | 11,9 | 13 | 13,2 | 1,2 | 100       | K1733.08                         |
| K1733.311016 | heavy spring force    | -                  | 16 | 10 | 15,9 | 16 | 16,6 | 1,6 | 160       | K1733.10                         |

