

# Ball transfer units steel with clampable ball, style B

## Item description/product images



### Description

**Material:**

Housing steel.

Lever polyamide.

Load ball stainless steel 1.4034 (AISI 420 equivalent) or polyamide.

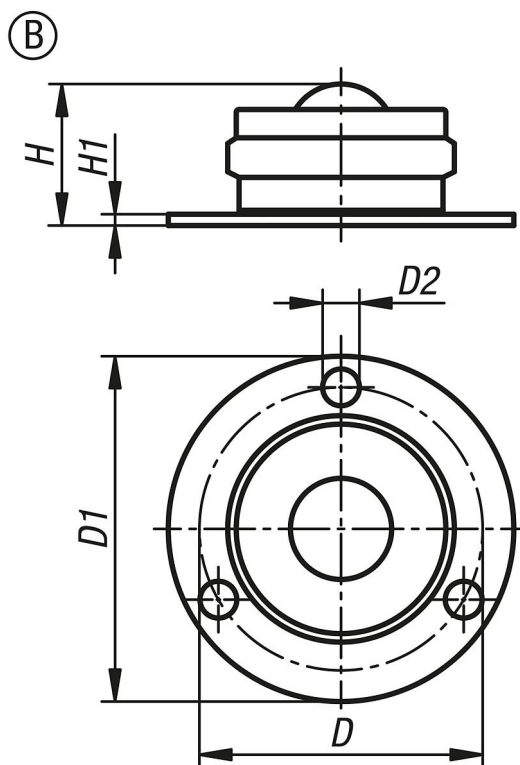
**Version:**

Steel electro zinc-plated.

**Note:**

Ball transfer units with clampable balls are suitable for transporting and positioning sensitive goods such as glass or polished aluminum, brass and steel sheets. Ball transfer units can also be used as an alternative to standard rollers, making it easy to transport and position low profiles, e.g. in retail, production or at home.

## Drawings



Item No.	style	Style definition	Component material	Ball-Ø	A	D	D1	D2	H	H1	Max load in kg ball on top	Max load in kg ball under
K1734.1219	B	without clamping	ball stainless steel	19	-	50	63	6,5	25	2	120	80
K1734.2219	B	without clamping	ball polyamide	19	-	50	63	6,5	25	2	120	80

