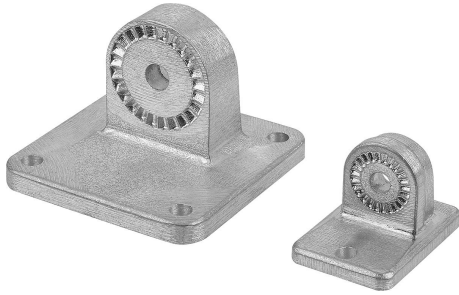


# Tube clamps swivel base aluminum, with sunken teeth

## Item description/product images



### Description

#### Material:

Cast aluminum.  
Nut, steel.

#### Version:

Vibratory ground.  
Nut electro zinc-plated.

#### Note:

Swivel half clamps with sunken teeth can be combined with swivel half clamps with raised teeth (K0485) to make a complete swivel clamp.

Max. torque when tightening the lockscrew:

M6: 10 Nm.  
M8: 25 Nm.  
M10: 50 Nm.

#### On request:

Adjustable handles for tightening.

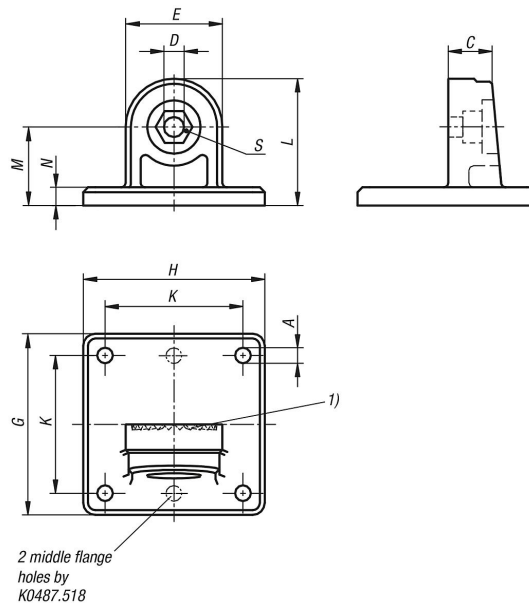
#### Accessory:

- Hex nut DIN 985
- Hex head bolt DIN 933
- Cap screw DIN 6912

#### Drawing reference:

1) 15° toothing

## Drawings



**Tube clamps swivel base aluminum, with sunken teeth**

Order No.	A	C	D	E	G	H	K	L	M	N	S
<b>K0487.518</b>	5,3 (2x)	13	7	25	50	35	38	32,5	20	5	M6
<b>K0487.530</b>	6,5 (4x)	16	9	40	75	75	57	52,5	33	7,5	M8
<b>K0487.540</b>	8,5 (4x)	22	11	56	100	100	76	72	44	10	M10