

Clamping screws for pneumatic pull clamps

Item description/product images



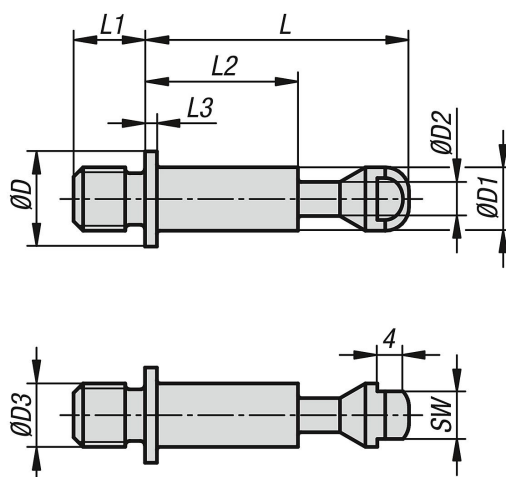
Description

Material:
Carbon steel.

Version:
Tempered and black oxidized.

Note:
These draw bolts for the pneumatic pull clamp are screwed directly into the workpiece. This enables the workpiece to be quickly connected to and released from the pull clamp over a pneumatic valve.
The system can also be used as a zero-point clamping system.

Drawings



Clamping screws for pneumatic pull clamps

Order No.	D	D1	D2	D3	L	L1	L2	L3	SW
K1391.108090	12	8	4,3	M8	38	9	24	1,5	6
K1391.110011	12	8	4,3	M10	38	11	24	1,5	6
K1391.112013	20	12	6,5	M12	48	13	31,5	2	10
K1391.116017	20	12	6,5	M16	48	17	31,5	2	10

