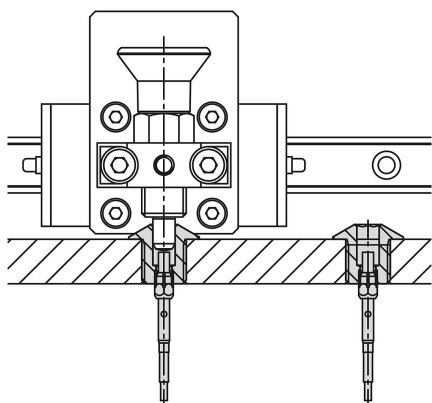


## Positioning bushes, steel or stainless steel for status sensor, style D, smooth

Item description/product images



### Description

#### Product description:

Positioning bushings style a locating point for pin type operating and indexing elements and enable these to be securely and precisely engaged herein.

The positioning bushings for status sensor have a locknut for installing a  $\varnothing 3$  mm sensor into the bushing.

The sensor enables electronic feedback as to whether a pin is located in the positioning bushing or not.

When using several bushings, it can be determined in which one an operating or indexing element is located.

#### Material:

Positioning bushing steel or stainless steel 1.4034 (AISI 420 equivalent).  
Locknut brass.

#### Version:

Positioning bushing:  
Hardened and black oxidized steel.  
Hardened, bright stainless steel.

Locknut nickel-plated.

#### Note:

Matched to mounting bracket K0638.  
The locknut is supplied loose.  
Max. tightening torque for the locknut: 1.2 Nm.

#### Application:

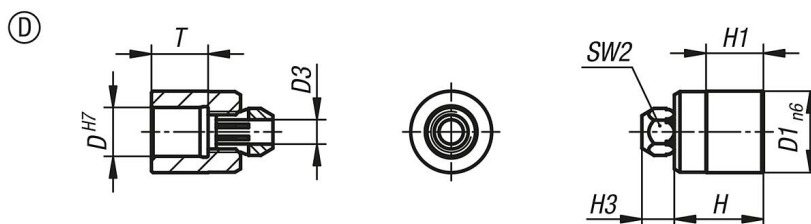
Positioning bushings in conjunction with a status sensor enable actuation-dependent process control. In addition, it can be determined whether the operating or indexing element is in the desired position.  
For example, by the styleat adjustment on packaging machines.

#### Assembly:

The sensor is fastened into the bushing using the locknut and then adjusted axially. The locknut is tightened to fixate the sensor in the final position.

The detailed procedure is described in the installation instructions.

### Drawings



## Positioning bushes, steel or stainless steel for status sensor, style D, smooth

Order No.	style	Style definition	Main material	D	D1	D3	H	H1	H3	T	SW2
K1840.403089	D	smooth	steel	3	8	3	10	6	4	5	5
K1840.404089	D	smooth	steel	4	8	3	10	6	4	5	5
K1840.405089	D	smooth	steel	5	8	3	10	6	4	6	5
K1840.406109	D	smooth	steel	6	10	3	11	7	4	7	5
K1840.408139	D	smooth	steel	8	13,5	3	14	9,5	4	9,5	5
K1840.410179	D	smooth	steel	10	17	3	16	11,5	4	11,5	5
K1840.1403089	D	smooth	stainless steel	3	8	3	10	6	4	5	5
K1840.1404089	D	smooth	stainless steel	4	8	3	10	6	4	5	5
K1840.1405089	D	smooth	stainless steel	5	8	3	10	6	4	6	5
K1840.1406109	D	smooth	stainless steel	6	10	3	11	7	4	7	5
K1840.1408139	D	smooth	stainless steel	8	13,5	3	14	9,5	4	9,5	5
K1840.1410179	D	smooth	stainless steel	10	17	3	16	11,5	4	11,5	5