

Locating bushes, stainless steel with status sensor, for ball lock pins with twist knob

Item description/product images



Description

Product description:

Locating bushings style a locating point for ball lock pins with twist knobs and enable these to be securely and precisely engaged herein.

The locating bushings with status sensor have a variably adjustable sensor integrated in the bushing. These enable electronic feedback as to whether a ball lock pin with twist knob is locked or not.

When using several bushings, it can be determined in which one a ball lock pin is located.

Material:

Locating bushing steel or stainless steel 1.4305 (AISI 303 equivalent).

Sensor stainless steel.

Locknut brass.

Version:

Locating bushing and sensor bright.

Locknut nickel-plated.

Note:

The status sensor and locknut are supplied loose.

Max. tightening torque for the locknut: 1.2 Nm.

Technical data:

Inductive sensor:

Output circuit: PNP NO

Operating voltage: 10 - 30 V DC

Operating current: <100 mA

Contact gap: 1 mm

Switch frequency: <3500 Hz

Short-circuit proof: yes

Reverse polarity protection: yes

Rating: IP 67

Connection type: 2 m PVC cable

Temperature range: -25 °C - +70 °C

Approvals: CE, c UL us, EAC

Application:

Locating bushings in conjunction with a status sensor enable actuation-dependent process control. In addition, it can be determined whether a ball lock pin or locking pin is in the desired position.

Assembly:

The sensor is fastened into the bushing using the locknut and then adjusted axially. The locknut is tightened to fixate the sensor in the final position.

The detailed procedure is described in the installation instructions.

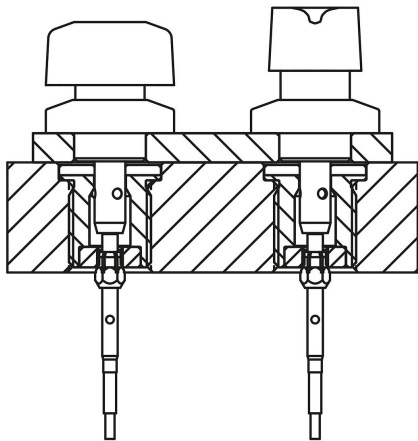
Safety:

Locating bushings with status sensor are not suitable for personnel safety functions.

Drawing reference:

Locating bushes, stainless steel with status sensor, for ball lock pins with twist knob

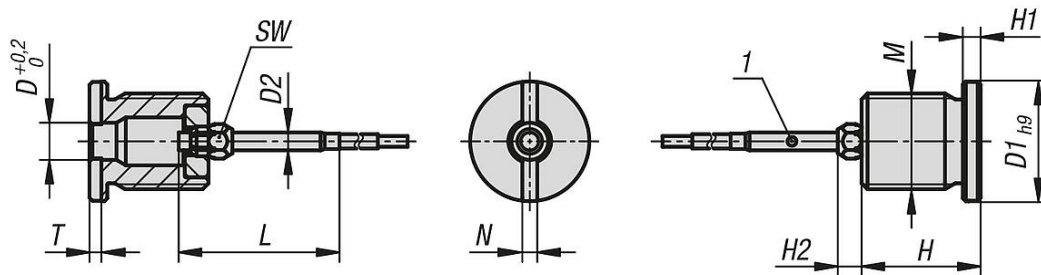
Item description/product images



1) LED

BN = brown
BK = black
BU = blue

Drawings



Locating bushings, stainless steel with status sensor

Order No.	style	Style definition	D	D1	D2	M	H	H1	H2	L	N	T	SW
K1843.12061611	B	with thread and collar for BLP with twist knob	6,2	20	3	M16x1,5	20	3	4	27	2,5	2	5
K1843.12102011	B	with thread and collar for BLP with twist knob	10,2	25	3	M20x1,5	23	3	4	27	2,5	2	5