

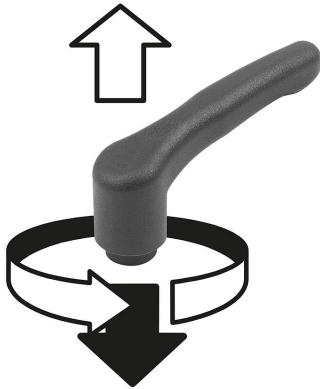
Adjustable handles, plastic, optically detectable with external thread

Item description/product images

VD



Press to
disengage



Description

Product description:

The visually detectable operating parts are made from a EU10/2011 and FDA constyle blue colored plastic granulate.

The color ensures an optically discernible contrast between the operating parts and other media and materials. This means that in sensitive production sectors, e.g. foodstuff processing, plastic fragments of visually detectable operating parts can be identified and the risk of production downtimes or complaints are significantly reduced.

Material:

Thermoplastic (fiberglass reinforced polyamide), visually detectable, EU10/2011 and FDA constyle.

Steel parts stainless steel 1.4404 (AISI 316L equivalent).

Version:

Thermoplastic ultra marine RAL 5002.

Steel parts bright stainless steel.

Application:

- Foodstuff industry
- Pharmaceutical industry
- Packaging industry

Temperature range:

-20°C to +100°C.

Benefits:

visually detectable.

Ultra marine RAL 5002.

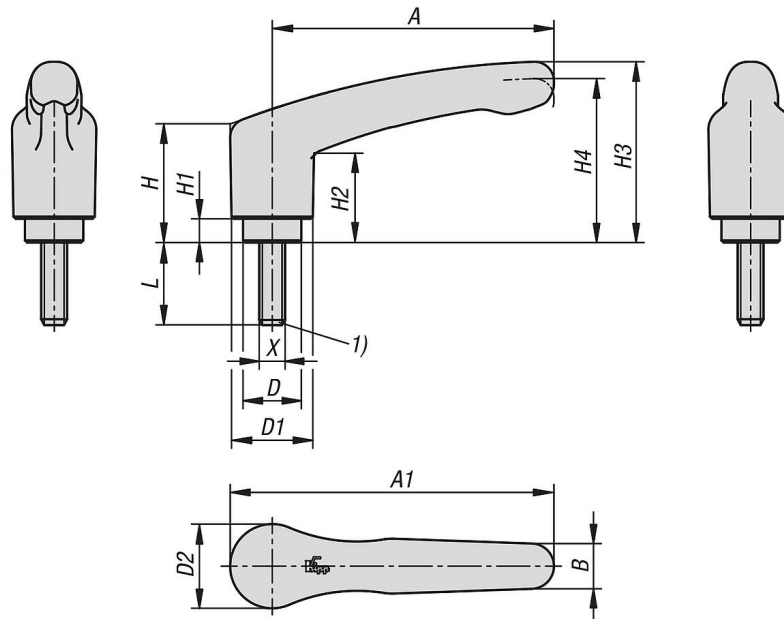
Foodstuff constyle material.

Drawing reference:

1) flat point DIN EN ISO 4753

Adjustable handles, plastic, optically detectable with external thread

Drawings



Adjustable handles, plastic, optically detectable with external thread

Order No.	Main color	X	D	D1	D2	H	H1	H2	H3	H4	A	A1	B	L	No. of teeth
K1743.13206X20	ultramarine blue RAL 5002	M6	13,5	18,8	19,5	27,4	5,5	20,7	41,9	38	65,2	75	10,5	20	12
K1743.13206X25	ultramarine blue RAL 5002	M6	13,5	18,8	19,5	27,4	5,5	20,7	41,9	38	65,2	75	10,5	25	12
K1743.13208X20	ultramarine blue RAL 5002	M8	13,5	18,8	19,5	27,4	5,5	20,7	41,9	38	65,2	75	10,5	20	12
K1743.13208X40	ultramarine blue RAL 5002	M8	13,5	18,8	19,5	27,4	5,5	20,7	41,9	38	65,2	75	10,5	40	12