

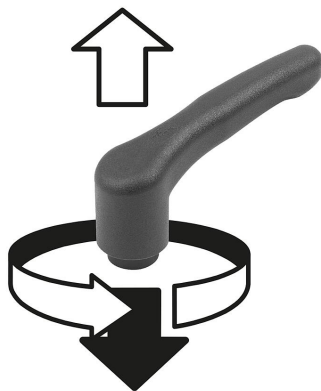
Adjustable handles, plastic, metal detectable with internal thread

Item description/product images

MD



Press to
disengage



Description

Product description:

The metal detectable operating parts are made from a EU10/2011 and FDA constyle plastic granulate.

Due to special additives to the plastic granulate, it is possible for metal detectors (induction technology) to detect plastic particles from a size of 0.027 cm³ (3x3x3 mm). This means that in sensitive production sectors, e.g. foodstuff processing, plastic fragments of metal detectable operating parts can be identified and the risk of production downtimes or complaints are significantly reduced.

Material:

Thermoplastic (fiberglass reinforced polyamide), metal detectable, EU10/2011 and FDA constyle.

Steel parts stainless steel 1.4404 (AISI 316L equivalent).

Version:

Thermoplastic black-gray RAL 7021.

Steel parts bright stainless steel.

Note:

The metal detectable additive can lead to partial color variations in the plastic surface.

Application:

- Foodstuff industry
- Pharmaceutical industry
- Packaging industry

Temperature range:

-20°C to +100°C.

Benefits:

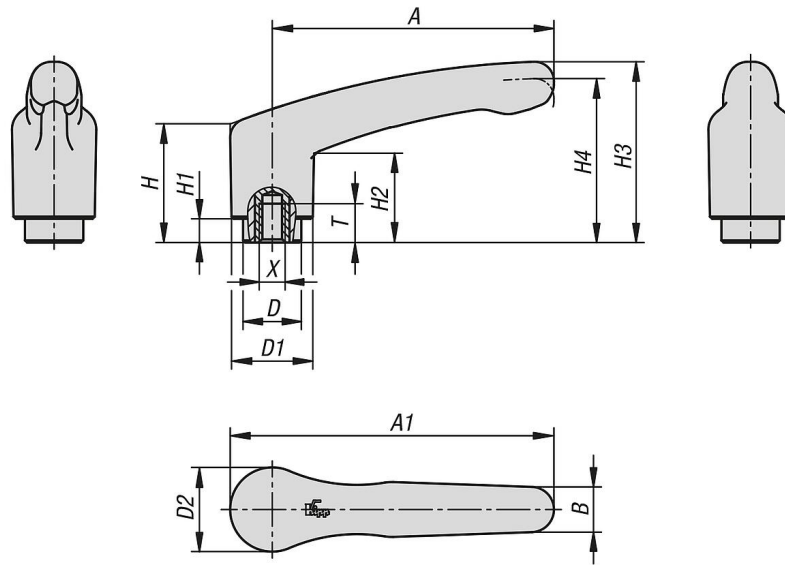
Metal detectable.

Detections volume ≥ 0.027 cm³.

Foodstuff constyle material.

Adjustable handles, plastic, metal detectable with internal thread

Drawings



Adjustable handles, plastic, metal detectable with internal thread

Order No.	Main color	X	T	D	D1	D2	H	H1	H2	H3	H4	A	A1	B	No. of teeth
K1743.14206	black gray RAL 7021	M6	9	13,5	18,8	19,5	27,4	5,5	20,7	41,9	38	65,2	75	10,5	12
K1743.14208	black gray RAL 7021	M8	9	13,5	18,8	19,5	27,4	5,5	20,7	41,9	38	65,2	75	10,5	12