

## Palm grips, high-temperature resistant plastic with protruding steel bushing, style K with tapped bushing

Item description/product images



### Description

#### Product description:

The metal detectable operating parts are made from a EU10/2011 and FDA constyle plastic granulate.

Due to special additives to the plastic granulate, it is possible for metal detectors (induction technology) to detect plastic particles from a size of 0.027 cm<sup>3</sup> (3x3x3 mm). This means that in sensitive production sectors, e.g. foodstuff processing, plastic fragments of metal detectable operating parts can be identified and the risk of production downtimes or complaints are significantly reduced.

#### Material:

Thermoplastic (fiberglass reinforced polyamide), metal detectable, EU10/2011 and FDA constyle.

Steel parts stainless steel 1.4404 (AISI 316L equivalent).

#### Version:

Thermoplastic black-gray RAL 7021.

Steel parts bright stainless steel.

#### Note:

Palm grips with projecting steel bushing and internal thread are highly suitable for cross pinning.

#### Application:

- Foodstuff industry
- Pharmaceutical industry
- Packaging industry

#### Temperature range:

-20°C to +100°C.

#### Benefits:

Metal detectable.

Detections volume  $\geq 0.027$  cm<sup>3</sup>.

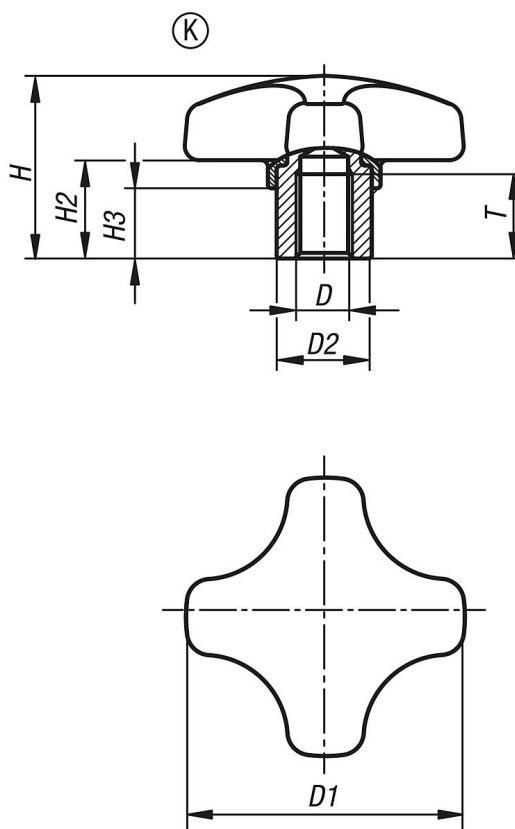
Foodstuff constyle material.

#### On request:

Special versions.

**Palm grips, high-temperature resistant plastic with protruding steel bushing, style K with tapped bushing**

Drawings



Order No.	style	Component material	Surface finish component	Main color	D	D1	D2	H	H2	H3	T	Approval / Certification
K1794.1425053175	K	stainless steel	bright	black gray RAL 7021	M5	25	10	18	9	7	9	FDA + EU10/2011
K1794.1432063175	K	stainless steel	bright	black gray RAL 7021	M6	32	13,5	22	12	9,5	12	FDA + EU10/2011
K1794.1440063175	K	stainless steel	bright	black gray RAL 7021	M6	40	13,5	26	14	10	12	FDA + EU10/2011
K1794.1440083175	K	stainless steel	bright	black gray RAL 7021	M8	40	13,5	26	14	10	12	FDA + EU10/2011
K1794.1450083175	K	stainless steel	bright	black gray RAL 7021	M8	50	19	32	18	12	17	FDA + EU10/2011
K1794.1450103175	K	stainless steel	bright	black gray RAL 7021	M10	50	19	32	18	12	17	FDA + EU10/2011