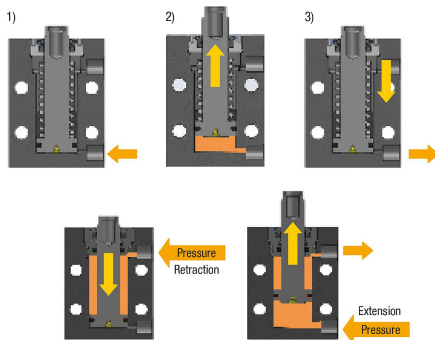


# Block cylinder, hydraulic with metal wiper, double / single acting with spring return, style B

Item description/product images



## Description

### Product description:

Block cylinders with female piston rod thread are ideally suited for clamping situations where short travel with high forces is required. Block cylinders can be used as thrust or traction cylinders. Various thrust pieces can be screwed into the internal threads of the piston rods. The block cylinders ensure a high operating pressure and are easy to fasten using cap screws due to their compact, cubic housing design. A double hydraulic seal is installed in the block cylinders as standard. This creates technical advantages for the rod-side seal for low-leakage continuous operation. Metal wipers are also installed in the block cylinders as standard to prevent the ingress of metal chips.

### Material:

Housing and piston steel.  
Seal NBR

### Version:

Housing black oxidized.  
Piston hardened.

### Note:

Transverse forces on the block cylinders should be avoided.

If the block cylinder is mounted transversely to the cylinder axis, additional support for the block cylinder is recommended. If the block cylinder is used as a thrust cylinder, the support should be on the underside; if it is used as a traction cylinder, it should be on the rod side.

Permissible dynamic loads during the piston advance stroke must be observed. A vent port is required for the single-acting block cylinders.

Penetration of cutting and cooling fluids into the cylinder must be prevented.

Thrust pieces are not supplied.

Follow safety instructions.

### Type of operation:

- Thread connection.
- O-ring flange connection.

### Technical data:

Max. operating pressure: 500 bar.

### Assembly:

See mounting contour.

### Benefits:

- Integrated metal wiper.
- Versatile mounting possibilities.
- Wide travel range.
- Large force range.
- Low mounting dimensions.
- Double hydraulic seals installed.

# Block cylinder, hydraulic with metal wiper, double / single acting with spring return, style B

Item description/product images

**Supplied with:**

2x O-rings (for flange connection operating mode) supplied.

**Accessory:**

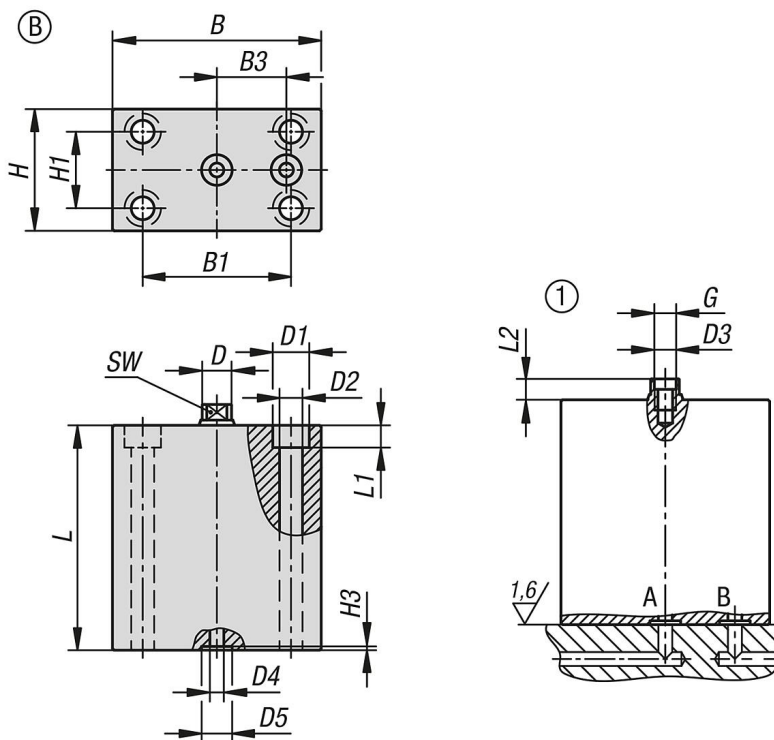
- Rest pads K0307.
- Self-aligning pads K0282, K0302, K1164, K0287, K0288.
- Gripper screws, hexagonal K0386.

**Drawing reference:**

- Style A: Longitudinal and transverse holes, screwed connection
- Style B: Underside, center hole, O-ring flange connection
- Style C: Wide side, O-ring- flange connection

1) Mounting contour

**Drawings**



**Block cylinder, hydraulic with metal wiper, double / single acting with spring return**

Order No.	style	Style definition	Piston Ø	travel	Connection type	B	B1	B3	D	D1	D2	D3	D4	D5	G
K1859.160822021	B	-	16	8	o-ring flange connection	60	40	20	10	11	6,5	6,3x3	4	8,8	M6x15
K1859.162022021	B	-	16	20	o-ring flange connection	60	40	20	10	11	6,5	6,3x3	4	8,8	M6x15
K1859.200822021	B	-	20	8	o-ring flange connection	60	40	22	12	11	6,5	8,5x3	4	8,8	M8x16
K1859.202022021	B	-	20	20	o-ring flange connection	60	40	22	12	11	6,5	8,5x3	4	8,8	M8x16
K1859.250822021	B	-	25	8	o-ring flange connection	65	50	25	16	14	8,5	10,5x4	4	9,8	M10x17
K1859.252022021	B	-	25	20	o-ring flange connection	65	50	25	16	14	8,5	10,5x4	4	9,8	M10x17
K1859.321022021	B	-	32	10	o-ring flange connection	75	55	27,5	20	18	10,5	12,5x4	5	9,8	M12x18
K1859.322022021	B	-	32	20	o-ring flange connection	75	55	27,5	20	18	10,5	12,5x4	5	9,8	M12x18
K1859.401022021	B	-	40	10	o-ring flange connection	85	63	31,5	25	18	10,5	16,5x7	5	9,8	M16x27

## Block cylinder, hydraulic with metal wiper, double / single acting with spring return, style B

Order No.	style	Style definition	Piston Ø	travel	Connection type	B	B1	B3	D	D1	D2	D3	D4	D5	G
K1859.402022021	B	-	40	20	o-ring flange connection	85	63	31,5	25	18	10,5	16,5x7	5	9,8	M16x27
K1859.161612021	B	double-acting	16	16	o-ring flange connection	60	40	20	10	11	6,5	6,3x3	4	8,8	M6x15
K1859.163212021	B	double-acting	16	32	o-ring flange connection	60	40	20	10	11	6,5	6,3x3	4	8,8	M6x15
K1859.165012021	B	double-acting	16	50	o-ring flange connection	60	40	20	10	11	6,5	6,3x3	4	8,8	M6x15
K1859.201612021	B	double-acting	20	16	o-ring flange connection	60	40	22	12	11	6,5	8,5x3	4	8,8	M8x16
K1859.203212021	B	double-acting	20	32	o-ring flange connection	60	40	22	12	11	6,5	8,5x3	4	8,8	M8x16
K1859.205012021	B	double-acting	20	50	o-ring flange connection	60	40	22	12	11	6,5	8,5x3	4	8,8	M8x16
K1859.252012021	B	double-acting	25	20	o-ring flange connection	65	50	25	16	14	8,5	10,5x4	4	9,8	M10x17
K1859.255012021	B	double-acting	25	50	o-ring flange connection	65	50	25	16	14	8,5	10,5x4	4	9,8	M10x17
K1859.322512021	B	double-acting	32	25	o-ring flange connection	75	55	27,5	20	18	10,5	12,5x4	5	9,8	M12x18
K1859.325012021	B	double-acting	32	50	o-ring flange connection	75	55	27,5	20	18	10,5	12,5x4	5	9,8	M12x18
K1859.402512021	B	double-acting	40	25	o-ring flange connection	85	63	31,5	25	18	10,5	16,5x7	5	9,8	M16x27
K1859.405012021	B	double-acting	40	50	o-ring flange connection	85	63	31,5	25	18	10,5	16,5x7	5	9,8	M16x27

### Block cylinder, hydraulic with metal wiper

Order No.	style	Style definition	Piston Ø	travel	H	H1	H3	L	L1	L2	SW	Effective piston area (cm <sup>2</sup> )	Compressive force at 100 bar (kN)	Tractive force at 100 bar (kN)
K1859.160822021	B	-	16	8	35	22	1,1	56	6,4	6	8	2	2	-
K1859.162022021	B	-	16	20	35	22	1,1	91	6,4	6	8	2	2	-
K1859.200822021	B	-	20	8	35	22	1,1	61	6,4	7	10	3,1	3,1	-
K1859.202022021	B	-	20	20	35	22	1,1	95	6,4	7	10	3,1	3,1	-
K1859.250822021	B	-	25	8	45	30	1,1	64	8,6	7	13	4,9	4,9	-
K1859.252022021	B	-	25	20	45	30	1,1	94	8,6	7	13	4,9	4,9	-
K1859.321022021	B	-	32	10	55	35	1,1	75	10,6	10	17	8	8	-
K1859.322022021	B	-	32	20	55	35	1,1	100	10,6	10	17	8	8	-
K1859.401022021	B	-	40	10	63	40	1,1	79	10,6	10	22	12,5	12,6	-
K1859.402022021	B	-	40	20	63	40	1,1	104	10,6	10	22	12,5	12,6	-
K1859.161612021	B	double-acting	16	16	35	22	1,1	56	6,4	6	8	2	2	1,2
K1859.163212021	B	double-acting	16	32	35	22	1,1	73	6,4	6	8	2	2	1,2
K1859.165012021	B	double-acting	16	50	35	22	1,1	91	6,4	6	8	2	2	1,2
K1859.201612021	B	double-acting	20	16	35	22	1,1	61	6,4	7	10	3,1	3,1	2
K1859.203212021	B	double-acting	20	32	35	22	1,1	77	6,4	7	10	3,1	3,1	2
K1859.205012021	B	double-acting	20	50	35	22	1,1	95	6,4	7	10	3,1	3,1	2
K1859.252012021	B	double-acting	25	20	45	30	1,1	64	8,6	7	13	4,9	4,9	2,9
K1859.255012021	B	double-acting	25	50	45	30	1,1	94	8,6	7	13	4,9	4,9	2,9
K1859.322512021	B	double-acting	32	25	55	35	1,1	75	10,6	10	17	8	8	4,9
K1859.325012021	B	double-acting	32	50	55	35	1,1	100	10,6	10	17	8	8	4,9
K1859.402512021	B	double-acting	40	25	63	40	1,1	79	10,6	10	22	12,5	12,6	7,7
K1859.405012021	B	double-acting	40	50	63	40	1,1	104	10,6	10	22	12,5	12,6	7,7