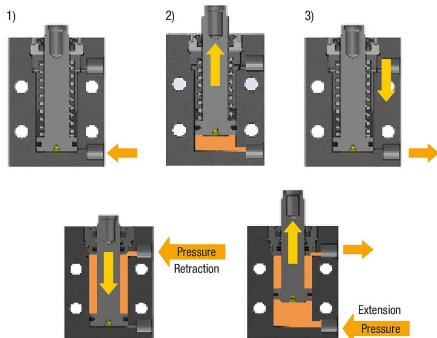


Block cylinder, hydraulic with metal wiper, double / single acting with spring return, style A

Item description/product images



Description

Product description:

Block cylinders with female piston rod thread are ideally suited for clamping situations where short travel with high forces is required. Block cylinders can be used as thrust or traction cylinders. Various thrust pieces can be screwed into the internal threads of the piston rods. The block cylinders ensure a high operating pressure and are easy to fasten using cap screws due to their compact, cubic housing design. A double hydraulic seal is installed in the block cylinders as standard. This creates technical advantages for the rod-side seal for low-leakage continuous operation. Metal wipers are also installed in the block cylinders as standard to prevent the ingress of metal chips.

Material:

Housing and piston steel.
Seal NBR

Version:

Housing black oxidized.
Piston hardened.

Note:

Transverse forces on the block cylinders should be avoided.

If the block cylinder is mounted transversely to the cylinder axis, additional support for the block cylinder is recommended. If the block cylinder is used as a thrust cylinder, the support should be on the underside; if it is used as a traction cylinder, it should be on the rod side.

Permissible dynamic loads during the piston advance stroke must be observed. A vent port is required for the single-acting block cylinders.

Penetration of cutting and cooling fluids into the cylinder must be prevented.

Thrust pieces are not supplied.

Follow safety instructions.

Type of operation:

- Thread connection.
- O-ring flange connection.

Technical data:

Max. operating pressure: 500 bar.

Assembly:

See mounting contour.

Benefits:

- Integrated metal wiper.
- Versatile mounting possibilities.
- Wide travel range.
- Large force range.
- Low mounting dimensions.
- Double hydraulic seals installed.

Block cylinder, hydraulic with metal wiper, double / single acting with spring return, style A

Item description/product images

Supplied with:

2x O-rings (for flange connection operating mode) supplied.

Accessory:

- Rest pads K0307.
- Self-aligning pads K0282, K0302, K1164, K0287, K0288.
- Gripper screws, hexagonal K0386.

Drawing reference:

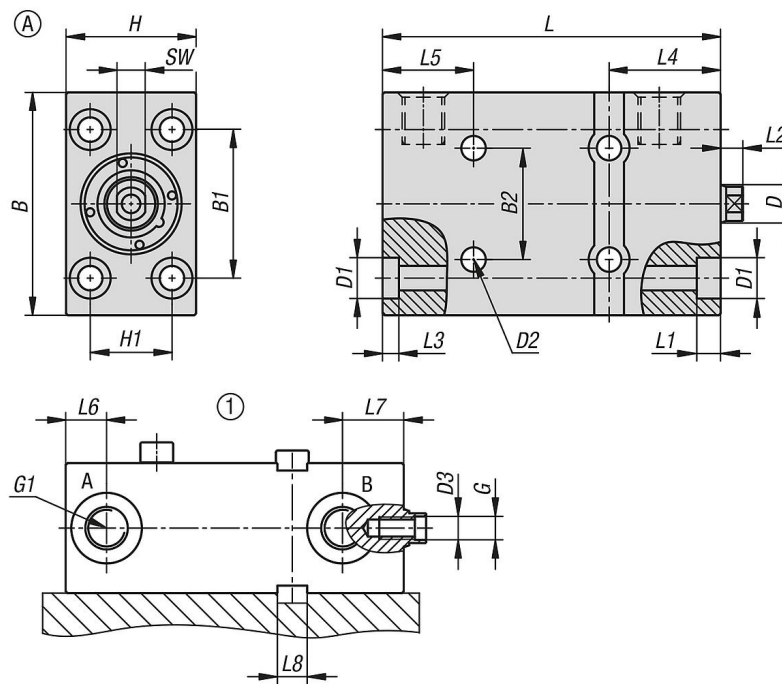
Style A: Longitudinal and transverse holes, screwed connection

Style B: Underside, center hole, O-ring flange connection

Style C: Wide side, O-ring- flange connection

1) Mounting contour

Drawings



Block cylinder, hydraulic with metal wiper, double / single acting with spring return

Order No.	style	Style definition	Piston Ø	travel	Connection type	B	B1	B2	D	D1	D2	D3	G	G1	H	H1	H2
K1859.160821011	A	-	16	8	screw connection	60	40	30	10	11	6,5	6,3x3	M6x15	G1/4	35	22	2
K1859.162021011	A	-	16	20	screw connection	60	40	30	10	11	6,5	6,3x3	M6x15	G1/4	35	22	2
K1859.200821011	A	-	20	8	screw connection	60	40	40	12	11	6,5	8,5x3	M8x16	G1/4	35	22	2
K1859.202021011	A	-	20	20	screw connection	60	40	40	12	11	6,5	8,5x3	M8x16	G1/4	35	22	2
K1859.250821011	A	-	25	8	screw connection	65	50	50	16	14	8,5	10,5x4	M10x17	G1/4	45	30	2
K1859.252021011	A	-	25	20	screw connection	65	50	50	16	14	8,5	10,5x4	M10x17	G1/4	45	30	2
K1859.321021011	A	-	32	10	screw connection	75	55	55	20	18	10,5	12,5x4	M12x18	G1/4	55	35	3
K1859.322021011	A	-	32	20	screw connection	75	55	55	20	18	10,5	12,5x4	M12x18	G1/4	55	35	3
K1859.401021011	A	-	40	10	screw connection	85	63	63	25	18	10,5	16,5x7	M16x27	G1/4	63	40	3
K1859.402021011	A	-	40	20	screw connection	85	63	63	25	18	10,5	16,5x7	M16x27	G1/4	63	40	3
K1859.161611011	A	double-acting	16	16	screw connection	60	40	30	10	11	6,5	6,3x3	M6x15	G1/4	35	22	2

Block cylinder, hydraulic with metal wiper, double / single acting with spring return, style A

Order No.	style	Style definition	Piston Ø	travel	Connection type	B	B1	B2	D	D1	D2	D3	G	G1	H	H1	H2
K1859.163211011	A	double-acting	16	32	screw connection	60	40	30	10	11	6,5	6,3x3	M6x15	G1/4	35	22	2
K1859.165011011	A	double-acting	16	50	screw connection	60	40	30	10	11	6,5	6,3x3	M6x15	G1/4	35	22	2
K1859.201611011	A	double-acting	20	16	screw connection	60	40	40	12	11	6,5	8,5x3	M8x16	G1/4	35	22	2
K1859.203211011	A	double-acting	20	32	screw connection	60	40	40	12	11	6,5	8,5x3	M8x16	G1/4	35	22	2
K1859.205011011	A	double-acting	20	50	screw connection	60	40	40	12	11	6,5	8,5x3	M8x16	G1/4	35	22	2
K1859.252011011	A	double-acting	25	20	screw connection	65	50	50	16	14	8,5	10,5x4	M10x17	G1/4	45	30	2
K1859.255011011	A	double-acting	25	50	screw connection	65	50	50	16	14	8,5	10,5x4	M10x17	G1/4	45	30	2
K1859.322511011	A	double-acting	32	25	screw connection	75	55	55	20	18	10,5	12,5x4	M12x18	G1/4	55	35	3
K1859.325011011	A	double-acting	32	50	screw connection	75	55	55	20	18	10,5	12,5x4	M12x18	G1/4	55	35	3
K1859.402511011	A	double-acting	40	25	screw connection	85	63	63	25	18	10,5	16,5x7	M16x27	G1/4	63	40	3
K1859.405011011	A	double-acting	40	50	screw connection	85	63	63	25	18	10,5	16,5x7	M16x27	G1/4	63	40	3

Block cylinder, hydraulic with metal wiper

Order No.	style	Style definition	Piston Ø	travel	L	L1	L2	L3	L4	L5	L6	L7	L8	SW	Effective piston area (cm ²)	Compressive force at 100 bar (kN)	Tractive force at 100 bar (kN)
K1859.160821011	A	-	16	8	56	6,4	6	4,4	30	-	11	16,5	8	8	2	2	-
K1859.162021011	A	-	16	20	91	6,4	6	4,4	30	-	11	16,5	8	8	2	2	-
K1859.200821011	A	-	20	8	61	6,4	7	4,4	30	-	11	16,5	8	10	3,1	3,1	-
K1859.202021011	A	-	20	20	95	6,4	7	4,4	30	-	11	16,5	8	10	3,1	3,1	-
K1859.250821011	A	-	25	8	64	8,6	7	6,4	33	-	11	18	10	13	4,9	4,9	-
K1859.252021011	A	-	25	20	94	8,6	7	6,4	33	-	11	18	10	13	4,9	4,9	-
K1859.321021011	A	-	32	10	75	10,6	10	7,6	38	-	11	22	12	17	8	8	-
K1859.322021011	A	-	32	20	100	10,6	10	7,6	38	-	11	22	12	17	8	8	-
K1859.401021011	A	-	40	10	79	10,6	10	10,6	40	-	11	24	12	22	12,5	12,6	-
K1859.402021011	A	-	40	20	104	10,6	10	10,6	40	-	11	24	12	22	12,5	12,6	-
K1859.161611011	A	double-acting	16	16	56	6,4	6	4,4	30	-	11	16,5	8	8	2	2	1,2
K1859.163211011	A	double-acting	16	32	73	6,4	6	4,4	30	-	11	16,5	8	8	2	2	1,2
K1859.165011011	A	double-acting	16	50	91	6,4	6	4,4	30	24,5	11	16,5	8	8	2	2	1,2
K1859.201611011	A	double-acting	20	16	61	6,4	7	4,4	30	-	11	16,5	8	10	3,1	3,1	2
K1859.203211011	A	double-acting	20	32	77	6,4	7	4,4	30	-	11	16,5	8	10	3,1	3,1	2
K1859.205011011	A	double-acting	20	50	95	6,4	7	4,4	30	24,5	11	16,5	8	10	3,1	3,1	2
K1859.252011011	A	double-acting	25	20	64	8,6	7	6,4	33	-	11	18	10	13	4,9	4,9	2,9
K1859.255011011	A	double-acting	25	50	94	8,6	7	6,4	33	26	11	18	10	13	4,9	4,9	2,9
K1859.322511011	A	double-acting	32	25	75	10,6	10	7,6	38	-	11	22	12	17	8	8	4,9
K1859.325011011	A	double-acting	32	50	100	10,6	10	7,6	38	27	11	22	12	17	8	8	4,9
K1859.402511011	A	double-acting	40	25	79	10,6	10	10,6	40	-	11	24	12	22	12,5	12,6	7,7
K1859.405011011	A	double-acting	40	50	104	10,6	10	10,6	40	27	11	24	12	22	12,5	12,6	7,7