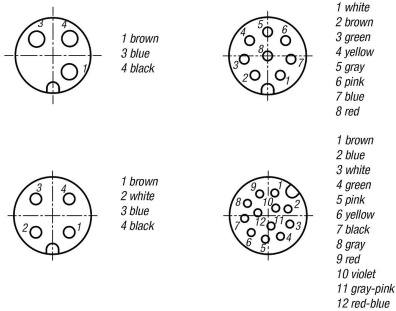


Connectors bushing M12x1, with screw lock, style A, straight bushing

Item description/product images



Description

Material:

Housing: plastic.
 Cable: PUR
 (4 pole length 3 and 5 metres PVC.
 8 pole length 10 metres PVC.
 12 pole length 10 metres PVC).
 Insulation braid: PP
 (4 pole length 3 and 5 metres PVC.
 8 pole length 10 metres PVC.
 12 pole length 10 metres PVC).
 Contact: copper alloy.
 Contact surface: Au (gold).
 Lock: nickel plated die-cast zinc.

Version:

Bushing (female).
 Housing color: black.
 Cable color: black.

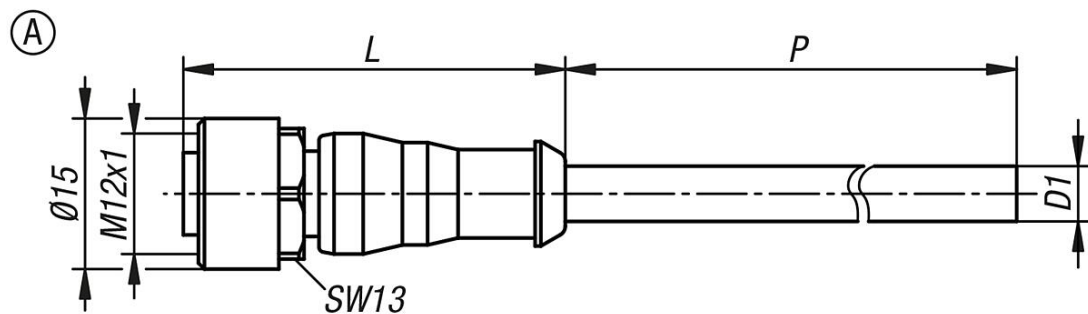
Note:

Connector with screw lock.
 Connector moulded to cable.
 Wire ID acc. to DIN 47100 color code.
 Coding A. Recommended tightening torque for the lock 0.6 Nm.
 The connectors are designed for use in plant, control and electrical appliance construction.

Technical data:

No. of connection cycles: ≥ 100 .

Drawings



Order No.	Version 2	style	Style definition	P	D1	L	No. of conductors x conductor cross-section	Safety rating	Operating voltage V
K1498.1203X2000	3-pin	A	straight bush	2000	4,1	38	3 x 0,34 mm ²	IP65/IP67	250 AC / 250 DC
K1498.1203X5000	3-pin	A	straight bush	5000	4,1	38	3 x 0,34 mm ²	IP65/IP67	250 AC / 250 DC
K1498.1204X3000	-	A	straight bush	3000	5	38	N=4 X 0,34 mm ²	IP65/IP67	250 AC / 250 DC
K1498.1204X5000	-	A	straight bush	5000	5	38	N=4 X 0,34 mm ²	IP65/IP67	250 AC / 250 DC
K1498.1208X2500	8-pin	A	straight bush	2500	5,8	43,5	8 x 0,25 mm ²	IP65/IP67	30 AC / 30 DC
K1498.1208X5000	8-pin	A	straight bush	5000	5,8	43,5	8 x 0,25 mm ²	IP65/IP67	30 AC / 30 DC

Connectors bushing M12x1, with screw lock, style A, straight bushing

Order No.	Version 2	style	Style definition	P	D1	L	No. of conductors x conductor cross-section	Safety rating	Operating voltage V
K1498.1208X10000	8-pin	A	straight bush	10000	6	43,5	8 x 0,25 mm ²	IP65/IP67	30 AC / 30 DC
K1498.1212X3000	12-pin	A	straight bush	3000	6	43,5	12 x 0,14 mm ²	IP65/IP67	30 AC / 30 DC
K1498.1212X5000	12-pin	A	straight bush	5000	6	43,5	12 x 0,14 mm ²	IP65/IP67	30 AC / 30 DC
K1498.1212X10000	12-pin	A	straight bush	10000	6	43,5	12 x 0,14 mm ²	IP65/IP67	30 AC / 30 DC

Item No.	Rated surge voltage V	Rated current (40 °C) A	Conductive resistance (20 °C) Ω/Km	Contamination level	Nominal voltage V	Test voltage V
K1498.1203X2000	2500	4	57	3	300 AC	2500 AC
K1498.1203X5000	2500	4	57	3	300 AC	2500 AC
K1498.1204X3000	2500	4	60	3	300 AC	2000 AC
K1498.1204X5000	2500	4	60	3	300 AC	2000 AC
K1498.1208X2500	800	2	79	3	300 AC	2500 AC
K1498.1208X5000	800	2	79	3	300 AC	2500 AC
K1498.1208X10000	800	2	79	3	300 AC	2000 AC
K1498.1212X3000	800	1,5	138	3	300 AC	1500 AC
K1498.1212X5000	800	1,5	138	3	300 AC	1500 AC
K1498.1212X10000	800	1,5	138	3	300 AC	1500 AC

Item No.	Cable bend radius moving	Cable bend radius fixed	Number of bend cycles max.	Temperature range cable moving	Temperature range cable fixed	EMC capability	Halogen-free
K1498.1203X2000	≥ 10 x D1	≥ 5 x D1	10000000 (25 °C)	-25 °C - +80 °C	-40 °C - +80 °C	-	yes
K1498.1203X5000	≥ 10 x D1	≥ 5 x D1	10000000 (25 °C)	-25 °C - +80 °C	-40 °C - +80 °C	-	yes
K1498.1204X3000	≥ 10 x D1	≥ 5 x D1	10000000 (25 °C)	-5 °C - +80 °C	-30 °C - +80 °C	-	no
K1498.1204X5000	≥ 10 x D1	≥ 5 x D1	10000000 (25 °C)	-5 °C - +80 °C	-30 °C - +80 °C	-	no
K1498.1208X2500	≥ 10 x D1	≥ 5 x D1	10000000 (25 °C)	-25 °C - +80 °C	-40 °C - +80 °C	-	yes
K1498.1208X5000	≥ 10 x D1	≥ 5 x D1	10000000 (25 °C)	-25 °C - +80 °C	-40 °C - +80 °C	-	yes
K1498.1208X10000	≥ 10 x D1	≥ 5 x D1	2000000 (25 °C)	-5 °C - +80 °C	-30 °C - +80 °C	-	no
K1498.1212X3000	≥ 10 x D1	≥ 7,5 X D1	2000000 (25 °C)	-25 °C - +85 °C	-40 °C - +85 °C	-	yes
K1498.1212X5000	≥ 10 x D1	≥ 7,5 X D1	2000000 (25 °C)	-25 °C - +85 °C	-40 °C - +85 °C	-	yes
K1498.1212X10000	≥ 10 x D1	≥ 7,5 X D1	2000000 (25 °C)	-5 °C - +70 °C	-30 °C - +70 °C	-	no