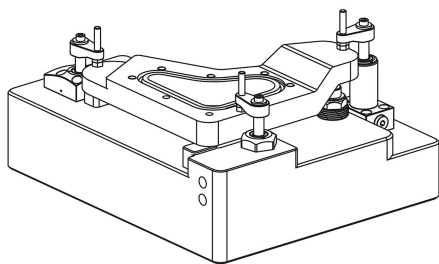
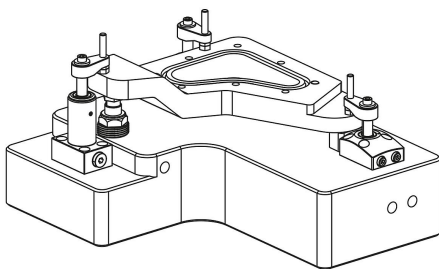


Swing clamps, hydraulic, compact, double / single-acting with spring return, style A, flange top

Item description/product images



Description

Product description:

Compact swing clamps are designed for clamping fixtures where the clamping points must be clear during workpiece removal or placement. They are also suitable for confined installation conditions. These compact swing clamps operate as single-acting or double-acting traction cylinders. There is a choice of three housing types for the compact swing clamps as well as various actuation methods. The clamping movement is initiated by a combined swivel and stroke motion. The actual clamping travel occurs with a linear movement. A wide range of variants with a left or right swivel angle of 90° are available.

Material:

Housing and piston steel.
Seal NBR

Version:

Housing black oxidized.
Piston hardened.

Note:

If the permissible volume flow on the swing clamp could be exceeded, an intermediate throttle check valve must be installed.

The permissible operating pressure of the swing clamps depends on the clamping arm length.

The clamping arms must be restrained when being mounted so that the ball guide of the swing clamps is not damaged.

Depending on the vent connection, the sinter filter of the single-acting swing clamps must be replaced by a screw plug.

The clamping arm of the compact swing clamp is not supplied.

Follow safety instructions.

Type of operation:

- Thread connection.
- O-ring flange connection.
- Drilled channels.

Technical data:

Max. operating pressure: 350 bar.

Assembly:

See mounting contour.

Benefits:

- Compact design
- Many types.
- Collision-free accessibility to the workpiece.

On request:

Larger piston diameters and longer strokes, other swivel angles, various clamping arm mounts, with position control.

Supplied with:

Swing clamps, hydraulic, compact, double / single-acting with spring return, style A, flange top

Item description/product images

- 1x slotted round nut M27x1.5 (only with compact swivel clamps K1862.14081104190100, K1862.14081104190200, K1862.14062104190100, K1862.14062104190200).
- 1x screw or nut for clamping arm mount.

Accessory:

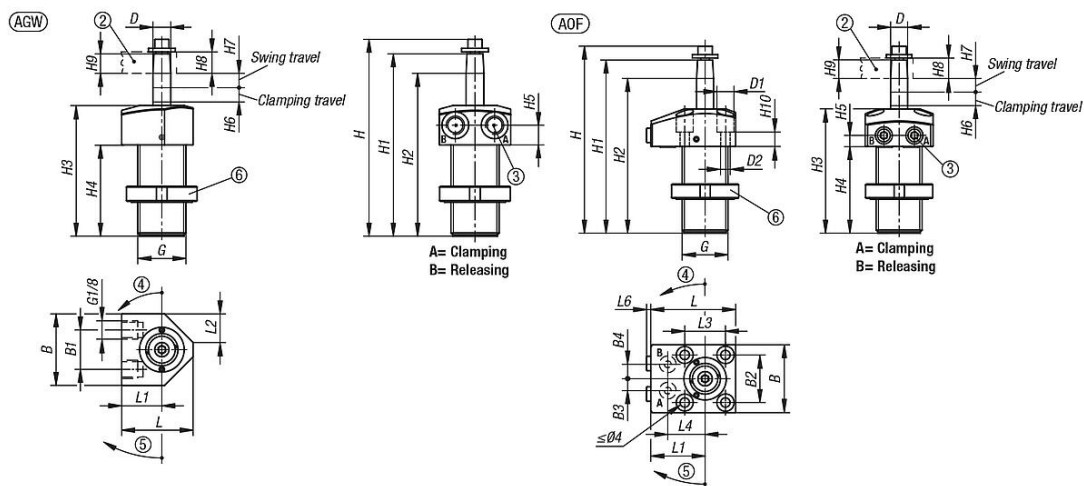
Clamping arm for compact swing clamp K1863.

Drawing reference:

- Style AGW: Flange top, Screw connection
- Style AOF: Flange top, O-ring flange connection
- Style BGW: Flange under, Screw connection
- Style BOF: Flange under, O-ring flange connection
- Style C: Screw-on thread

- 1) Mounting contour
- 2) See accessories
- 3) By the single-acting cylinders, the port is equipped with a built-in sinter filter.
- 4) Left swivel
- 5) Right swivel
- 6) Included in delivery

Drawings



| Order No. | style | Style definition | Connection type | Swivel direction | Piston Ø | travel | B | B1 | B2 | B3 | B4 | D | D1 | D2 | G | H | H1 | H2 | H3 | H4 | H5 |
|----------------------|-------|------------------|--------------------------|------------------|----------|--------|----|----|----|----|-----|----|----|-----|---------|-----|-----|----|----|----|-----|
| K1862.14081104190100 | A | double-acting | screw connection | right | 14 | 8 | 40 | 22 | - | - | - | 10 | - | - | M27x1,5 | 110 | 103 | 91 | 73 | 51 | 11 |
| K1862.14081204190100 | A | double-acting | o-ring flange connection | right | 14 | 8 | 40 | - | 28 | 7 | 8,5 | 10 | 10 | 5,5 | M27x1,5 | 110 | 103 | 91 | 73 | 51 | 6,5 |
| K1862.14081104190200 | A | double-acting | screw connection | left | 14 | 8 | 40 | 22 | - | - | - | 10 | - | - | M27x1,5 | 110 | 103 | 91 | 73 | 51 | 11 |
| K1862.14081204190200 | A | double-acting | o-ring flange connection | left | 14 | 8 | 40 | - | 28 | 7 | 8,5 | 10 | 10 | 5,5 | M27x1,5 | 110 | 103 | 91 | 73 | 51 | 6,5 |
| K1862.14062104190100 | A | - | screw connection | right | 14 | 6 | 40 | 22 | - | - | - | 10 | - | - | M27x1,5 | 110 | 103 | 91 | 73 | 51 | 11 |
| K1862.14062204190100 | A | - | o-ring flange connection | right | 14 | 6 | 40 | - | 28 | 7 | 8,5 | 10 | 10 | 5,5 | M27x1,5 | 110 | 103 | 91 | 73 | 51 | 6,5 |
| K1862.14062104190200 | A | - | screw connection | left | 14 | 6 | 40 | 22 | - | - | - | 10 | - | - | M27x1,5 | 110 | 103 | 91 | 73 | 51 | 11 |
| K1862.14062204190200 | A | - | o-ring flange connection | left | 14 | 6 | 40 | - | 28 | 7 | 8,5 | 10 | 10 | 5,5 | M27x1,5 | 110 | 103 | 91 | 73 | 51 | 6,5 |

Swing clamps, hydraulic, compact, double / single-acting with spring return, style A, flange top

| Order No. | style | Style definition | Connection type | Swivel direction | H6 | H7 | H8 | H9 | H10 | L | L1 | L2 | L3 | L4 | L5 | L6 | Flow rate max. (cm ³ /s) | Oil requirement / stroke (cm ³) |
|-----------------------------|-------|------------------|--------------------------|------------------|----|----|----|------|-----|----|------|--------|----|----|----|-----|-------------------------------------|---|
| K1862.14081104190100 | A | double-acting | screw connection | right | 8 | 8 | 12 | 11,5 | - | 40 | 22,5 | 16x45° | - | - | - | - | 2,5 | 1,2 |
| K1862.14081204190100 | A | double-acting | o-ring flange connection | right | 8 | 8 | 12 | 11,5 | 8,5 | 50 | 32 | - | 24 | 22 | - | 2,5 | 2,5 | 1,2 |
| K1862.14081104190200 | A | double-acting | screw connection | left | 8 | 8 | 12 | 11,5 | - | 40 | 22,5 | 16x45° | - | - | - | - | 2,5 | 1,2 |
| K1862.14081204190200 | A | double-acting | o-ring flange connection | left | 8 | 8 | 12 | 11,5 | 8,5 | 50 | 32 | - | 24 | 22 | 32 | 2,5 | 2,5 | 1,2 |
| K1862.14062104190100 | A | - | screw connection | right | 6 | 10 | 12 | 11,5 | - | 40 | 22,5 | 16x45° | - | - | - | - | 2,5 | 1,2 |
| K1862.14062204190100 | A | - | o-ring flange connection | right | 6 | 10 | 12 | 11,5 | 8,5 | 50 | 32 | - | 24 | 22 | - | 2,5 | 2,5 | 1,2 |
| K1862.14062104190200 | A | - | screw connection | left | 6 | 10 | 12 | 11,5 | - | 40 | 22,5 | 16x45° | - | - | - | - | 2,5 | 1,2 |
| K1862.14062204190200 | A | - | o-ring flange connection | left | 6 | 10 | 12 | 11,5 | 8,5 | 50 | 32 | - | 24 | 22 | - | 2,5 | 2,5 | 1,2 |