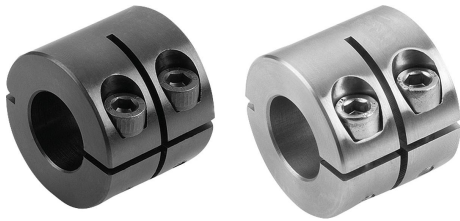


## Shaft collars one-piece, wide, slitted outside

### Item description/product images



### Description

#### Material:

Steel 1.0718.

Stainless steel 1.4305 (AISI 303 equivalent).

#### Version:

Steel black oxidized.

Screw 12.9 steel.

Stainless steel bright.

Screw A2-70 stainless steel.

#### Note:

One-piece shaft collars with an outer slit surround the shaft with an equal distribution of the clamping force. This leads to a very precise fit and high retaining force without damaging the shaft.

The shaft tolerance should lie within h11.

Due to the slit being on the outside of the shaft collar, up to 15% higher clamping forces can be achieved than with the version with slit on the inside. The bore remains cylindrical, thus precisely enclosing the shaft. Less imbalance.

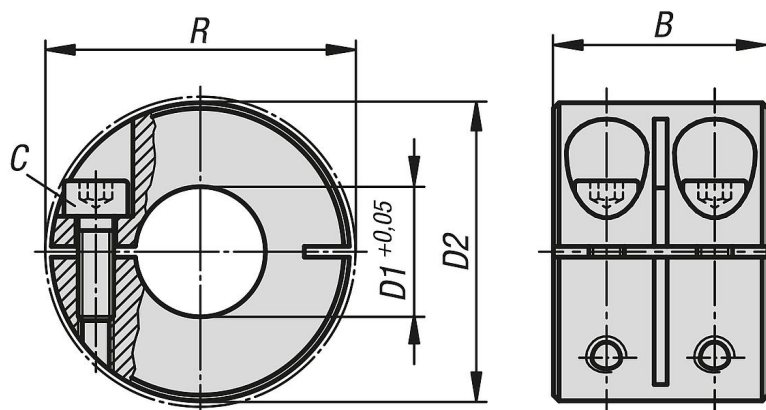
#### Temperature range:

-40 °C - +175 °C.

#### On request:

Other dimensions.

### Drawings



### One-piece shaft collars, wide, slitted outside

Order No.	Style definition	Main material	B	C (DIN 912)	D1	D2	R
K1923.100801	slitted outside	steel	20	M3x8	8	18	22,4
K1923.101001	slitted outside	steel	20	M3x10	10	24	26
K1923.101201	slitted outside	steel	24	M4x12	12	28	31,8
K1923.101601	slitted outside	steel	29	M5x16	16	34	39,4

## Shaft collars one-piece, wide, slitted outside

Order No.	Style definition	Main material	B	C (DIN 912)	D1	D2	R
K1923.102001	slitted outside	steel	33	M6x18	20	40	46,4
K1923.102501	slitted outside	steel	33	M6x18	25	45	50,8
K1923.103001	slitted outside	steel	33	M6x18	30	54	58,6
K1923.104001	slitted outside	steel	33	M6x18	40	60	65
K1923.105001	slitted outside	steel	41	M8x25	50	78	87
K1923.100802	slitted outside	stainless steel	20	M3x8	8	18	22,4
K1923.101002	slitted outside	stainless steel	20	M3x10	10	24	26
K1923.101202	slitted outside	stainless steel	24	M4x12	12	28	31,8
K1923.101602	slitted outside	stainless steel	29	M5x16	16	34	39,4
K1923.102002	slitted outside	stainless steel	33	M6x18	20	40	46,4
K1923.102502	slitted outside	stainless steel	33	M6x18	25	45	50,8
K1923.103002	slitted outside	stainless steel	33	M6x18	30	54	58,6
K1923.104002	slitted outside	stainless steel	33	M6x18	40	60	65
K1923.105002	slitted outside	stainless steel	41	M8x25	50	78	87