

Pull handles, aluminum, style B

Item description/product images



Description

Product description:

This pull handle is characterized by its large size and pleasant haptics. Easy to clean due to its closed and smooth design.

Material:

Pull handle EN AW-6060.
Screw, nut and washer stainless steel.

Version:

Black or silver.

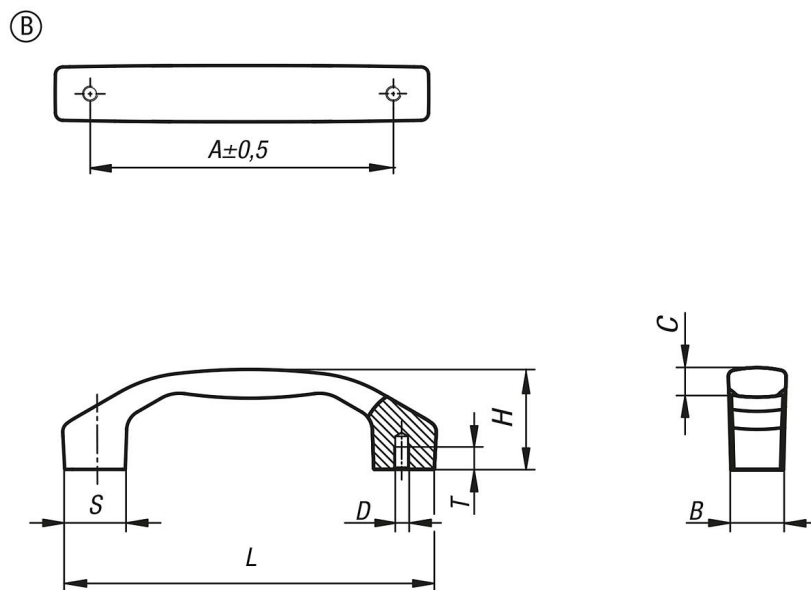
Assembly:

Style B from the front.

Benefits:

Element for opening and closing covers, panels and hoods.
Application fields: machine and plant construction, toolmaking and furniture industries.
Torsionally strong and user friendly.

Drawings



Order No.	style	Style definition	Main color	A	B	C	D	H	L	S	T	Load capacity N
K1641.2100051	B	with internal thread	black	100	17	9,5	M5	33	122	20	7,5	1000
K1641.2120061	B	with internal thread	black	120	21	11,4	M6	39	146	24	9	1000
K1641.2140081	B	with internal thread	black	140	24	14,2	M8	45	170	28	12	1000
K1641.2160081	B	with internal thread	black	160	28	15,5	M8	52	194	32	12	1000
K1641.2180101	B	with internal thread	black	180	31	16	M10	58	218	36	15	1000
K1641.2100053	B	with internal thread	silver	100	17	9,5	M5	33	122	20	7,5	1000
K1641.2120063	B	with internal thread	silver	120	21	11,4	M6	39	146	24	9	1000
K1641.2140083	B	with internal thread	silver	140	24	14,2	M8	45	170	28	12	1000
K1641.2160083	B	with internal thread	silver	160	28	15,5	M8	52	194	32	12	1000

Pull handles, aluminum, style B

Order No.	style	Style definition	Main color	A	B	C	D	H	L	S	T	Load capacity N
K1641.2180103	B	with internal thread	silver	180	31	16	M10	58	218	36	15	1000