

Swing clamps, hydraulic, double / single-acting with spring return, style C, screw-in thread

Item description/product images



Description

Product description:

Swing clamps are designed for clamping fixtures where the clamping points must be clear during workpiece removal or placement. These swing clamps operate as single-acting or double-acting traction cylinders. There is a choice of three housing types for the swing clamps as well as various actuation methods. The clamping movement is initiated by a combined swivel and stroke motion. The actual clamping travel then occurs with a linear movement. A wide range of variants with a left or right swivel angle of 90° are available. The swing clamps are very durable because they have a metal wiper which protects against metal chips. In addition, an overload protection protects the swing mechanism from damage if the swing process is blocked.

Material:

Housing and piston steel.
Seal NBR

Version:

Housing black oxidized.
Piston hardened.

Note:

If the permissible volume flow on the swing clamp could be exceeded, an intermediate throttle check valve must be installed.

The permissible operating pressure of the swing clamps depends on the clamping arm length.

The clamping arms must be restrained when being mounted so that the ball guide of the swing clamps is not damaged.

Depending on the vent connection, the sinter filter of the single-acting swing clamps must be replaced by a screw plug.

The clamping arm of the swing clamp is not supplied.

Follow safety instructions.

Type of operation:

- Thread connection.
- O-ring flange connection.
- Drilled channels.

Technical data:

Max. operating pressure: 500 bar.

Assembly:

See mounting contour.

Benefits:

- Integrated metal wiper.
- Integrated overload protection.
- Collision-free accessibility to the workpiece.
- Many types.
- Pressure supplied over diverse connection possibilities.

On request:

Swing clamps, hydraulic, double / single-acting with spring return, style C, screw-in thread

Item description/product images

Larger piston diameters and longer strokes, other swivel angles, various clamping arm mounts, with position control.

Supplied with:

Supplied with 1 screw or nut for mounting the clamping arm.

Accessory:

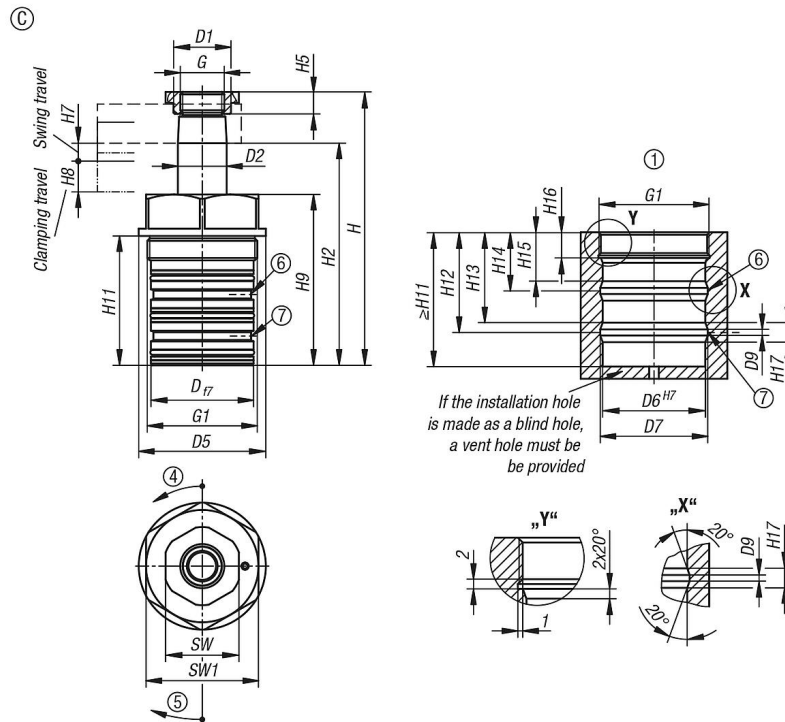
Clamping arm for swing clamp K1865.

Drawing reference:

- Style A: Flange top
- Style B: Flange under
- Style C: Screw-on thread

- 1) Mounting contour
- 2) See accessories
- 3) By the single-acting cylinders, the port is equipped with a built-in sinter filter.
- 4) Left swivel
- 5) Right swivel
- 6) Clamp
- 7) Release or vent by single acting cylinders

Drawings



Order No.	style	Style definition	Connection type	Swivel direction	Piston Ø	travel	D	D1	D2	D5	D6	D7	D9	G	G1	H	H2
K1864.25101306190111	C	double-acting	drilled channels	right	25	10	42	23,5	20	52	42	-	5	M18x1,5	M45x1,5	112	91
K1864.25101306190211	C	double-acting	drilled channels	left	25	10	42	23,5	20	52	42	-	5	M18x1,5	M45x1,5	112	91
K1864.40131306190111	C	double-acting	drilled channels	right	40	13	55	33,5	32	64	55	-	5	M28x1,5	M60x1,5	152	124

Swing clamps, hydraulic, double / single-acting with spring return, style C, screw-in thread

Order No.	style	Style definition	Connection type	Swivel direction	Piston Ø	travel	D	D1	D2	D5	D6	D7	D9	G	G1	H	H2
K1864.40131306190211	C	double-acting	drilled channels	left	40	13	55	33,5	32	64	55	-	5	M28x1,5	M60x1,5	152	124
K1864.25102306190111	C	-	drilled channels	right	25	10	42	23,5	20	52	42	-	5	M18x1,5	M45x1,5	112	91
K1864.25102306190211	C	-	drilled channels	left	25	10	42	23,5	20	52	42	-	5	M18x1,5	M45x1,5	112	91
K1864.40132306190111	C	-	drilled channels	right	40	13	55	33,5	32	64	55	-	5	M28x1,5	M60x1,5	152	124
K1864.40132306190211	C	-	drilled channels	left	40	13	55	33,5	32	64	55	-	5	M28x1,5	M60x1,5	152	124

Order No.	style	H5	H7	H8	H9	H11	H12	H13	H14	H15	H16	H17	SW	SW1	Flow rate max. (cm ³ /s)	Oil requirement / stroke (cm ³)	Oil requirement / return stroke (cm ³)
K1864.25101306190111	C	9	8	10	70	53	41	37	24	20	10,5	8	27	46	3,2	3,2	8,8
K1864.25101306190211	C	9	8	10	70	53	41	37	24	20	10,5	8	27	46	3,2	3,2	8,8
K1864.40131306190111	C	10	9	13	99	66	46,5	41,5	29	24	12,5	10	40	55	10	10	27,7
K1864.40131306190211	C	10	9	13	99	66	46,5	41,5	29	24	12,5	10	40	55	10	10	27,7
K1864.25102306190111	C	9	8	10	70	53	41	37	24	20	10,5	8	27	46	3,2	3,2	-
K1864.25102306190211	C	9	8	10	70	53	41	37	24	20	10,5	8	27	46	3,2	3,2	-
K1864.40132306190111	C	10	9	13	99	66	46,5	41,5	29	24	12,5	10	40	55	10	10	-
K1864.40132306190211	C	10	9	13	99	66	46,5	41,5	29	24	12,5	10	40	55	10	10	-