

## Adjustable handles, plastic with internal thread and safety function, metric

Item description/product images

### METRIC Parts



press to  
engage  
(safety function)



### Description

#### Product description:

Adjustable handles with safety function prevent changes in the locking point through accidental opening or closing.

In the default position, the handle can be freely rotated and has no connection to the clamping point. The grip handle only engages when pushed down and the clamp can be loosened or tightened.

A spring sets the handle automatically into the default position when released.

#### Material:

Grip lever and insert made from reinforced thermoplastic.  
Bushing steel.

#### Version:

Steel trivalent blue passivated.

#### Benefits:

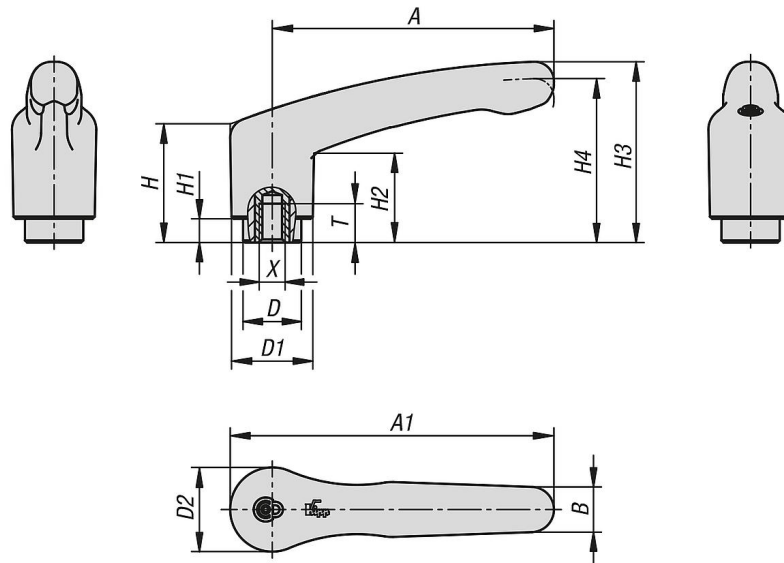
Protection against accidental opening or closing.  
Closed grip contour without protruding edges.

#### On request:

Special versions.

## Adjustable handles, plastic with internal thread and safety function, metric

Drawings



Order No.	Main color	Size	X	T	D	D1	D2	H	H1	H2	H3	H4	A	A1	B	No. of teeth
K1553.1041	black gray RAL 7021	1	M4	6	10	13,2	13,8	22,7	5	15,2	31,8	28,9	39,9	46,8	7,9	12
K1553.1051	black gray RAL 7021	1	M5	6	10	13,2	13,8	22,7	5	15,2	31,8	28,9	39,9	46,8	7,9	12
K1553.2051	black gray RAL 7021	2	M5	7,5	13,5	18,8	19,5	27,4	5,5	20,7	41,9	38	65,2	75	10,5	12
K1553.2061	black gray RAL 7021	2	M6	9	13,5	18,8	19,5	27,4	5,5	20,7	41,9	38	65,2	75	10,5	12
K1553.2081	black gray RAL 7021	2	M8	9	13,5	18,8	19,5	27,4	5,5	20,7	41,9	38	65,2	75	10,5	12
K1553.3081	black gray RAL 7021	3	M8	12	17	21,2	22,2	40	10	31,4	58,1	53,3	80,3	91,3	11,7	12
K1553.3101	black gray RAL 7021	3	M10	12	17	21,2	22,2	40	10	31,4	58,1	53,3	80,3	91,3	11,7	12
K1553.10484	traffic red RAL 3020	1	M4	6	10	13,2	13,8	22,7	5	15,2	31,8	28,9	39,9	46,8	7,9	12
K1553.10584	traffic red RAL 3020	1	M5	6	10	13,2	13,8	22,7	5	15,2	31,8	28,9	39,9	46,8	7,9	12
K1553.20584	traffic red RAL 3020	2	M5	7,5	13,5	18,8	19,5	27,4	5,5	20,7	41,9	38	65,2	75	10,5	12
K1553.20684	traffic red RAL 3020	2	M6	9	13,5	18,8	19,5	27,4	5,5	20,7	41,9	38	65,2	75	10,5	12
K1553.20884	traffic red RAL 3020	2	M8	9	13,5	18,8	19,5	27,4	5,5	20,7	41,9	38	65,2	75	10,5	12
K1553.30884	traffic red RAL 3020	3	M8	12	17	21,2	22,2	40	10	31,4	58,1	53,3	80,3	91,3	11,7	12
K1553.31084	traffic red RAL 3020	3	M10	12	17	21,2	22,2	40	10	31,4	58,1	53,3	80,3	91,3	11,7	12