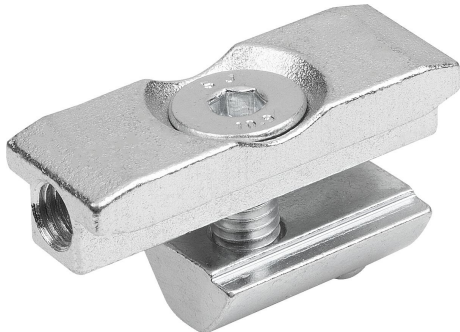


Slot key direct connectors Type I

Item description/product images



Description

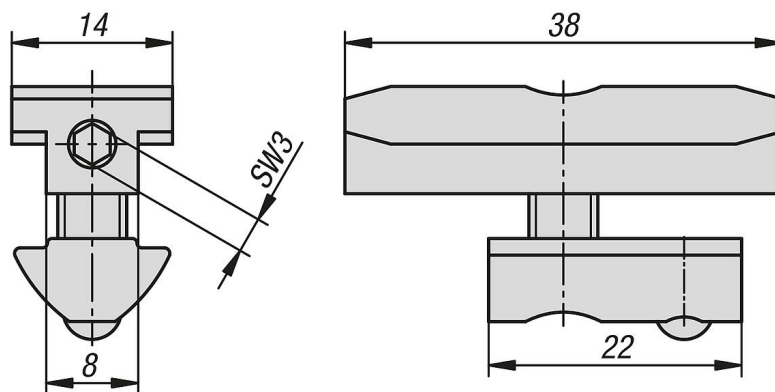
Material:
Steel.

Version:
Electro zinc-plated.

Note:
For the crosswise or parallel connection of two aluminum profiles without the need for machining.

Also suitable for mounting socket strips and LED lamps.

Drawings



Slot key direct connectors type I

Item No.	Slot width	Product type
K2016.0806	8	for aluminum profile type I

