

Spring hinges aluminum profile, 0.35 Nm, spring open

Item description/product images



Description

Material:

aluminum 6060 T5.
End caps PA 6.6.
Washers POM.

Version:

Black anodized.
Colorless anodized.

Note:

These hinges have steel tension springs which enables doors and hatches to open or close automatically.
Opening angle 180°.

Spring torque opening:

M(0°): 0.35 Nm / M(90°): 0.24 Nm / M(180°): 0.12 Nm

These hinges have a more than 30000 cycle service life.

Fastened using DIN 912/EN ISO 4762 socket head screws.

Temperature range:

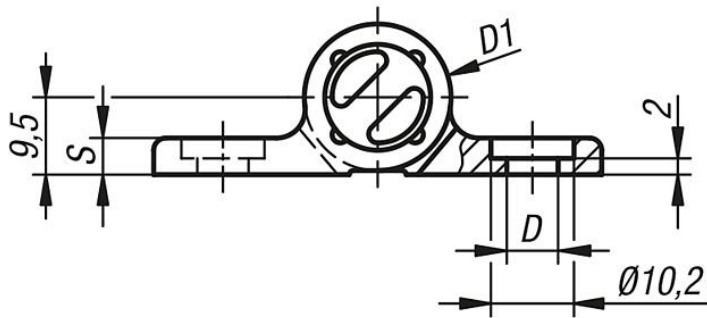
From -20°C to +80°C

Accessory:

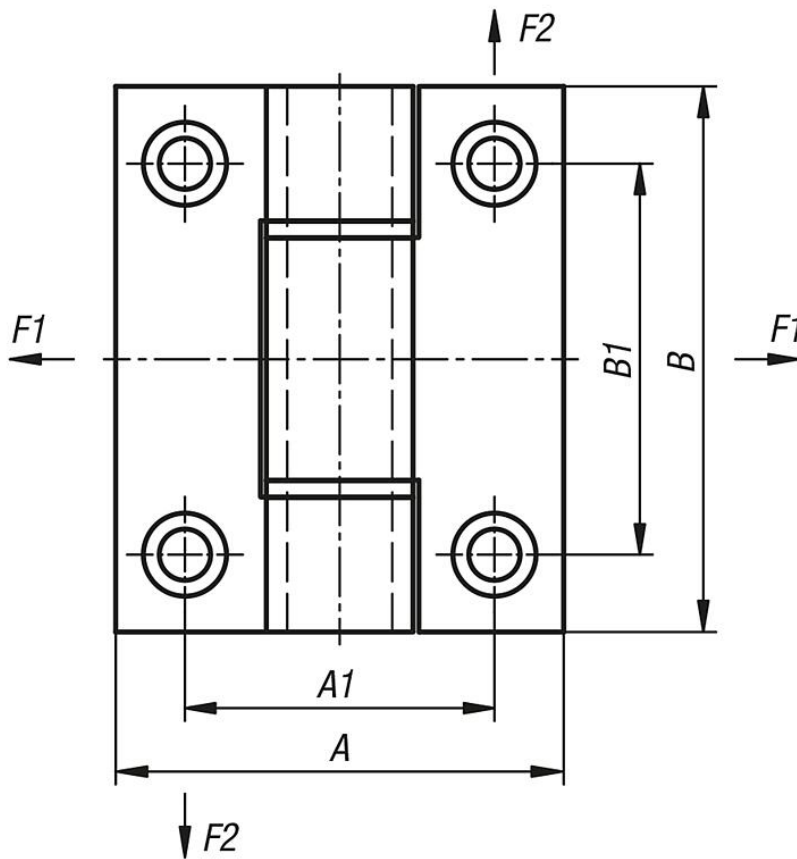
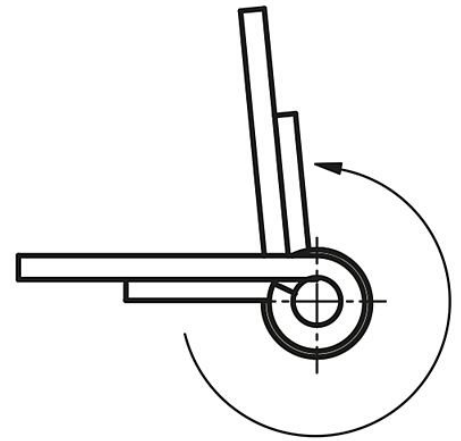
Socket head screws with hexagon socket DIN 912/EN ISO 4762.

Spring hinges aluminum profile, 0.35 Nm, spring open

Drawings



Hinges with opening spring



| Order No. | Main color | Surface finish body | A | A1 | B | B1 | D | D1 | S | F1 N | F2 N |
|--------------|------------|---------------------|----|----|----|----|-----|----|-----|------|------|
| K1179.556701 | black | anodized | 55 | 38 | 67 | 48 | 6,3 | 18 | 4,5 | 5000 | 4200 |
| K1179.55670 | colorless | anodized | 55 | 38 | 67 | 48 | 6,3 | 18 | 4,5 | 5000 | 4200 |