

Butt connector 90° Ø30 type I with rotation lock

Item description/product images



Description

Material:

Die-cast aluminum.
Mounting parts steel.

Version:

Bright.
Mounting parts electro zinc-plated.

Note:

Suitable for round tubes and profile tubes with 30 mm OD.

For right-angle joints. The large radii ensure smooth transitions by 90° connections. They reduce the risk of injury from the outer corners of the construction and avoid damage from trolleys being moved around.

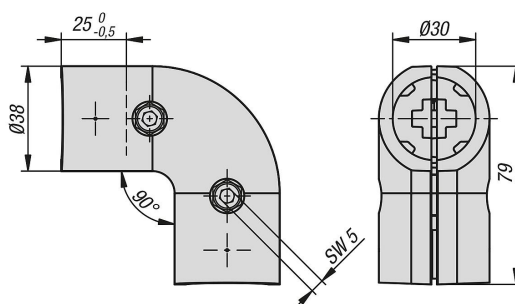
The butt connector has an integrated, high-load rotation lock. It ensures exact and permanent alignment of Ø30 profile tubes. If required, the rotation locks can be removed using a flat-blade screwdriver. This is necessary to secure Ø30 round tubes in the butt connector.

Supplied with:

2 Butt connector halves.
2 DIN EN ISO 4762 (DIN 912) M6x25 screws, electro zinc-plated.
2 ISO 10511 M6 self-locking nuts, electro zinc-plated.

Articles are supplied pre-assembled.

Drawings



Butt connector 90° Ø30 type I with rotation lock

Item No.	Profile	ESD electrostatic discharging	Matching end cap KIPP
K1986.30125	Ø30	Yes	K1990.301

