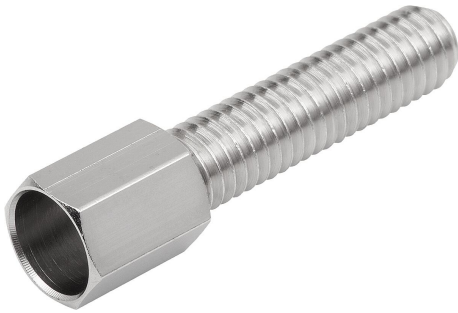


## Setscrews

### Item description/product images



### Description

**Material:**

Brass.

**Version:**

nickel-plated.

**Note:**

The setscrew is a replacement part for the indexing plungers with remote actuation K1502.

**Accessory:**

Wire cable with ball K2023.

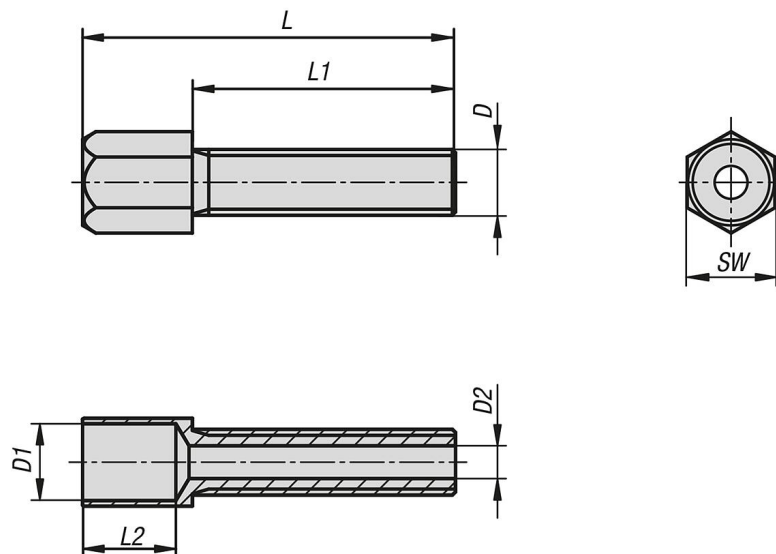
Traction sleeve with inner tube K2024.

End sleeve K2025.

Screw nipple K2027.

Hex nut K0700.

### Drawings



### Setscrews

Order No.	Main material	Surface finish body	D	D1	D2	L	L1	L2	SW
K2026.0306X24	brass	nickel-plated	M6	7	3	34	24	8,5	8