

Hook clamps, mini, style D

Item description/product images



Description

Material:

Carbon steel, tempered.

Version:

Black oxidized.

Note:

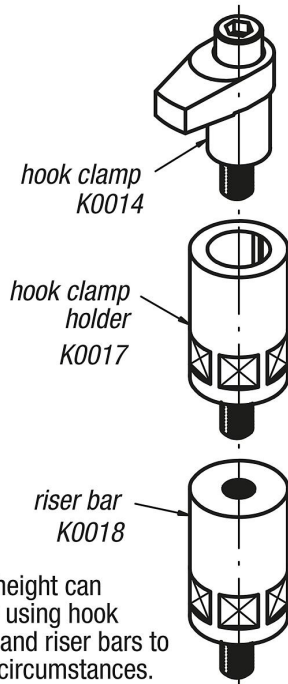
The stated clamping forces (F max.) and tightening torques are valid within the stated clamping ranges (H5).

Benefits:

Compact design for use in the tightest of spaces
Diverse versions and sizes

Accessory:

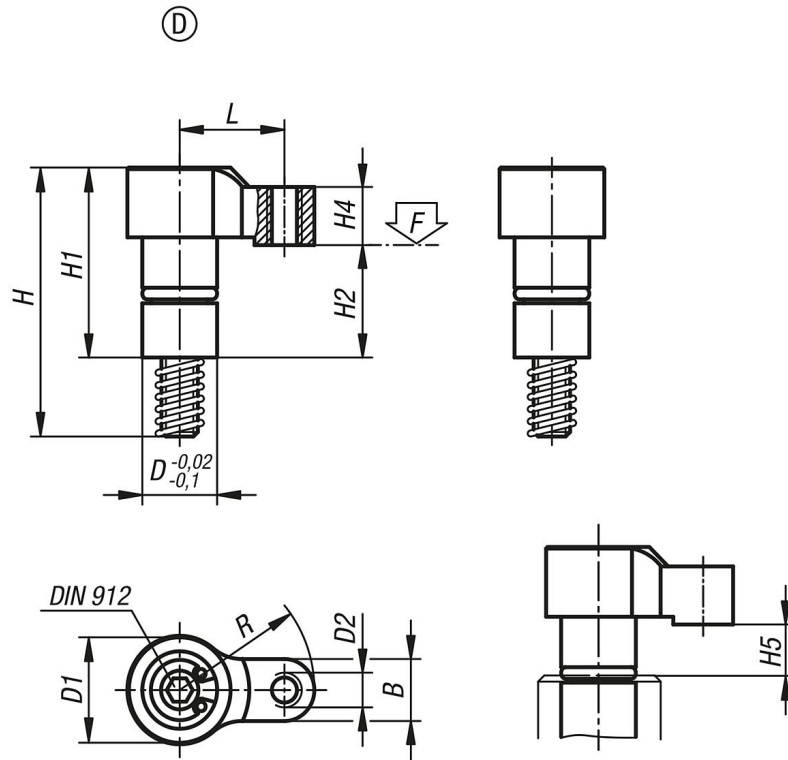
Hook clamp holders K0017.
Hook clamp holders K0851.
Extensions for jack screws K0018.



The clamping height can be adjusted by using hook clamp holders and riser bars to suit individual circumstances.

Hook clamps, mini, style D

Drawings



Order No.	style	D	D1	D2	H	H1	H2	H4	H5 max. clamping range	B	L	R	Socket head screw DIN 912	Max. tightening torque Nm	F max. kN
K0014.404118	D	10	14	M4	37	24,5	14,5	7,5	3	8	14	18	M4x30	2,7	2
K0014.406122	D	12	16	M5	44	30,5	17,5	9,5	4	10	17	22	M6x35	7	3,5