

Handwheels disc similar to DIN 950, aluminum - inch

Item description/product images

INCH
Parts



Description

Material:

Handwheel aluminum.

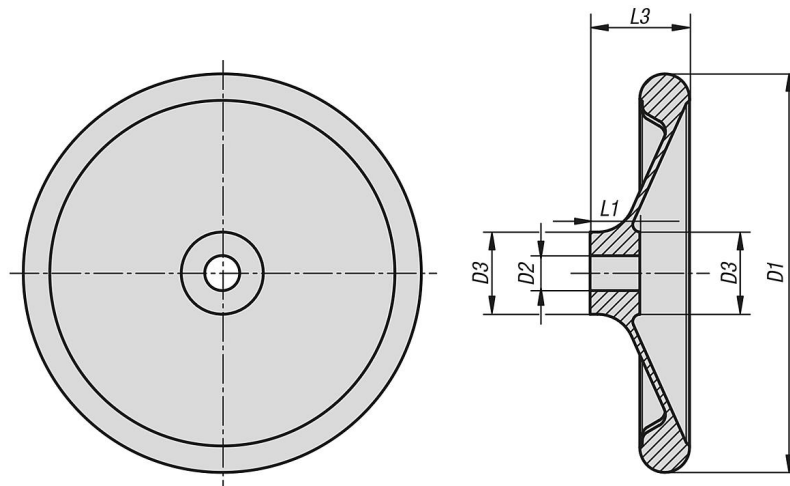
Version:

Wheel rim turned and polished.

On request:

Hubs with square socket or powder-coated handwheels.

Drawings



Handwheels disc, similar to DIN 950, aluminum

Item No.	D1	D2	D3	L1	L3
K0163.0080XCN	80	0,312	25	16	30
K0163.0080XCO	80	0,375	25	16	30
K0163.0100XCO	100	0,375	28	17	31
K0163.0100XCP	100	0,5	28	17	31
K0163.0120XCO	120	0,375	27	18	30
K0163.0120XCP	120	0,5	27	18	30
K0163.0160XCP	160	0,5	34	20	40
K0163.0160XCQ	160	0,625	34	20	40
K0163.0200XCQ	200	0,625	40	24	44
K0163.0200XCR	200	0,75	40	24	44
K0163.0250XCR	250	0,75	49	28	61
K0163.0250XCV	250	0,875	49	28	61
K0163.0280XCR	280	0,75	51	30	38
K0163.0280XCV	280	0,875	51	30	38
K0163.0360XCV	360	0,875	63	35	73
K0163.0360XCS	360	1	63	35	73

