

Handwheels 2-spoke plastic - inch

Item description/product images

INCH
Parts



Description

Material:

Handwheel, reinforced and stabilized polyamide.
center caps, polyamide.
center bushing, steel.

Version:

Handwheel, oil and grease resistant, black (RAL 9011), satin finish.
Center caps, gray (RAL 7035).
Center bushing, black oxidized.

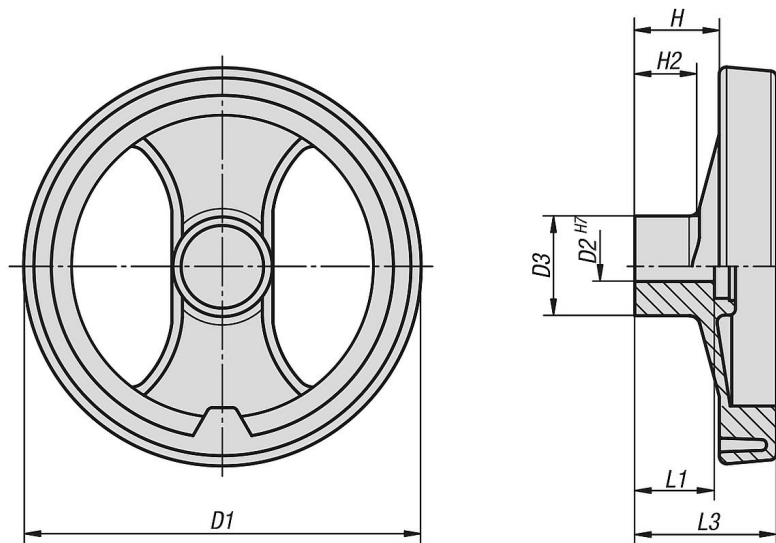
Note:

The H7 tolerance for the bore D2 in the drawing is only for metric handwheels; inch handwheels have an H10 tolerance.

On request:

Other cap colors.
Special versions.

Drawings



Order No.	D1	D2	D3	H	H2	L1	L3
K0725.0080XCN	80	0,312	24,5	20	16	20	34
K0725.0100XCO	99	0,375	28	25,5	20	24	42
K0725.0100XCQ	99	0,625	28	25,5	20	24	42
K0725.0130XCN	129	0,312	32	30	21	24	50
K0725.0130XCO	129	0,375	32	30	21	24	50
K0725.0160XCO	159	0,375	40	33	22	32	57
K0725.0160XCP	159	0,5	40	33	22	32	57
K0725.0160XCQ	159	0,625	40	33	22	32	57
K0725.0200XCO	198	0,375	51	31	17,5	32	60
K0725.0200XCQ	198	0,625	51	31	17,5	32	60
K0725.0250XCQ	252	0,625	55,5	39,5	24	36	71

K0725 inch

Handwheels 2-spoke plastic - inch

