

Handwheels 2-spoke plastic, with folding grip - inch

Item description/product images

INCH
Parts



Description

Material:

Handwheel, reinforced and stabilized polyamide.
center caps, polyamide.
center bushing and tapped insert for cylinder grip, steel.

Version:

Handwheel, oil and grease resistant, black (RAL 9011), satin finish.
center caps, gray (RAL 7035).
center bushing and taped insert for folding grip, black oxidized.

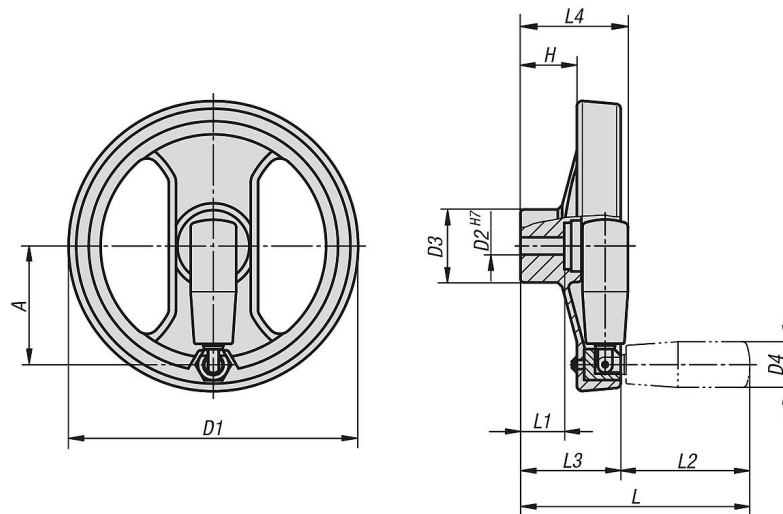
Note:

The H7 tolerance for the bore D2 in the drawing is only for metric handwheels; inch handwheels have an H10 tolerance.

On request:

Other cap colors.
Special versions.

Drawings



Handwheels 2-spoke, plastic, with folding grip

Order No.	Version 1	D1	D2	D3	D4	A	H	L	L1	L2	L3	L4
K0725.6130XCN	reamed hole	129	0,312	32	20	51	29	111	20	59	52	53
K0725.6130XCO	reamed hole	129	0,375	32	20	51	29	111	20	59	52	53
K0725.6160XCO	reamed hole	159	0,375	40	25	65	31	126	24	71	55	59
K0725.6160XCP	reamed hole	159	0,5	40	25	65	31	126	24	71	55	59
K0725.6200XCP	reamed hole	200	0,5	54,5	27	80	33	160	28	91	69	69

K0725 inch

Handwheels 2-spoke plastic, with folding grip - inch

