

Cam levers, stainless steel with internal thread, plastic thrust washer - inch

Item description/product images



Description

Material:

Handles 1.4308 (AISI "316" equivalent).
 Thrust washer plastic PA 66 GF 35-X fiberglass reinforced.
 Hinge pin, washer 1.4305 (AISI 303 equivalent).

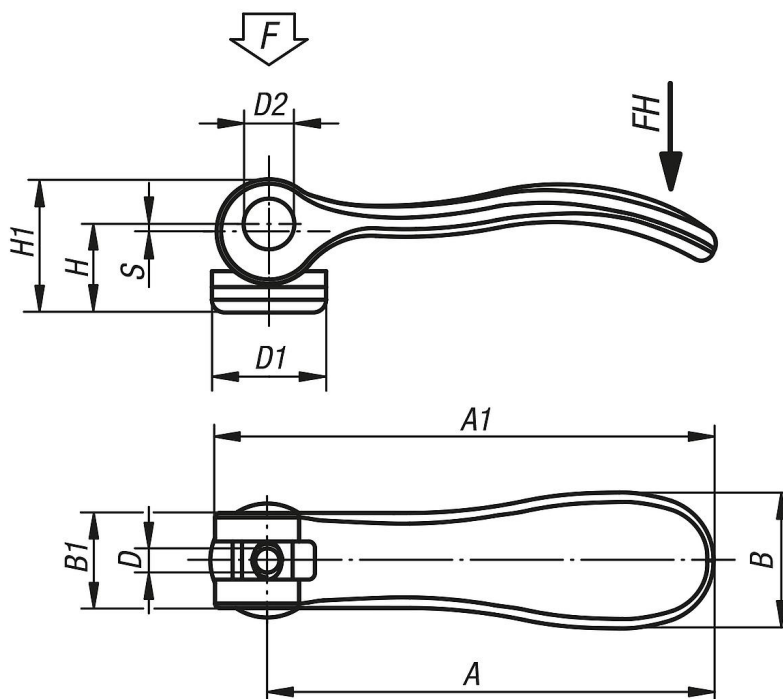
Version:

Handle electropolished or blasted.
 Thrust washer black.
 Hinge pin bright.

Note:

Plastics are subject to creeping under load (retardation).

Drawings



Order No.	Surface finish body	D	D1	D2	B	B1	H	H1	A	A1	Travel S	Clamping force F (kN)	Hand force FH N
K0645.95120AD	electropolished	6-32	12	6	14,4	11,5	9	13	36,2	41,7	1	1,5	90
K0645.95120AE	electropolished	8-32	12	6	14,4	11,5	9	13	36,2	41,7	1	1,5	90
K0645.05120AE	electropolished	8-32	15,4	8	18	13	11,2	17	52,3	59,1	1	2,5	100
K0645.05120A0	electropolished	10-24	15,4	8	18	13	11,2	17	52,3	59,1	1	2,5	100
K0645.05120A1	electropolished	10-32	15,4	8	18	13	11,2	17	52,3	59,1	1	2,5	100
K0645.15120A1	electropolished	10-32	18,1	9	21,5	15	14,5	22	70,4	79,2	1,2	4	120
K0645.15120A2	electropolished	1/4-20	18,1	9	21,5	15	14,5	22	70,4	79,2	1,2	4	120
K0645.25120A3	electropolished	5/16-18	27,1	11	33,3	24	18	28,5	96	108	1,5	8	350
K0645.95123AD	blasted	6-32	12	6	14,4	11,5	9	13	36,2	41,7	1	1,5	90
K0645.95123AE	blasted	8-32	12	6	14,4	11,5	9	13	36,2	41,7	1	1,5	90
K0645.05123AE	blasted	8-32	15,4	8	18	13	11,2	17	52,3	59,1	1	2,5	100
K0645.05123A0	blasted	10-24	15,4	8	18	13	11,2	17	52,3	59,1	1	2,5	100

Cam levers, stainless steel with internal thread, plastic thrust washer - inch

Order No.	Surface finish body	D	D1	D2	B	B1	H	H1	A	A1	Travel S	Clamping force F (kN)	Hand force FH N
K0645.05123A1	blasted	10-32	15,4	8	18	13	11,2	17	52,3	59,1	1	2,5	100
K0645.15123A1	blasted	10-32	18,1	9	21,5	15	14,5	22	70,4	79,2	1,2	4	120
K0645.15123A2	blasted	1/4-20	18,1	9	21,5	15	14,5	22	70,4	79,2	1,2	4	120
K0645.25123A3	blasted	5/16-18	27,1	11	33,3	24	18	28,5	96	108	1,5	8	350