

Cam levers, steel with internal thread, plastic thrust washer - inch

Item description/product images

INCH
Parts



Description

Material:

Handle steel 1.0401.
Thrust washer plastic PA 66 GF 35-X fiberglass reinforced.
Hinge pin stainless steel 1.4305 (AISI 303 equivalent).
Stud and washer steel, grade 5.8.

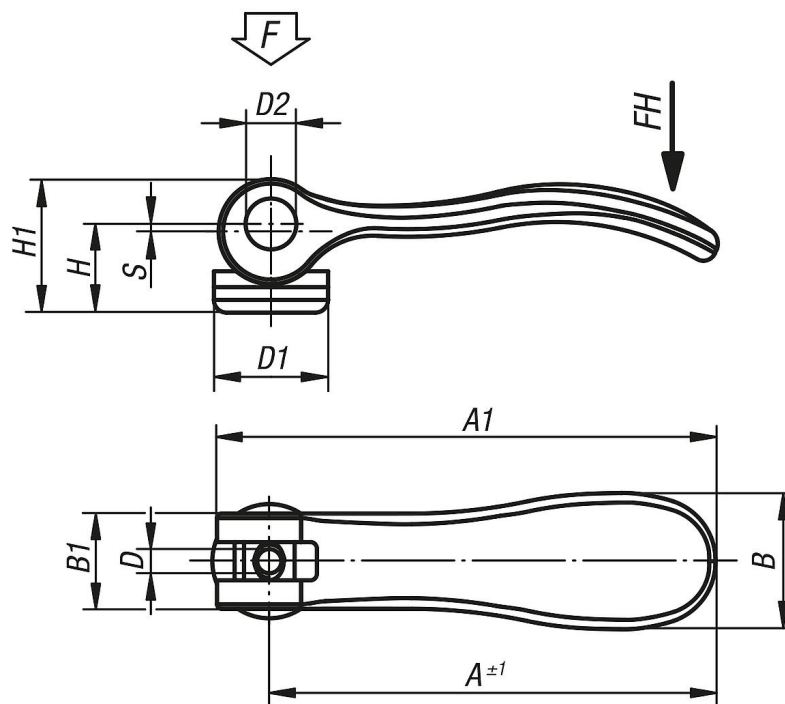
Version:

Handle, stud and washer trivalent blue passivated.
Thrust washer black.
Hinge pin bright.

Note:

Plastics are subject to creeping under load (retardation).

Drawings



Order No.	D	D1	D2	B	B1	H	H1	A	A1	Travel S	Clamping force F (kN)	Hand force FH N
K0788.15022A1	10-32	18,1	9	21,5	15	14,5	22	70,4	79,2	1,2	4	120
K0788.15022A2	1/4-20	18,1	9	21,5	15	14,5	22	70,4	79,2	1,2	4	120
K0788.25022A3	5/16-18	27,1	11	33,3	24	18	28,5	96	108	1,5	8	350

